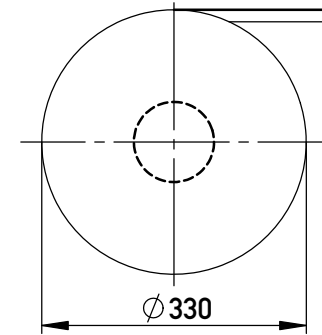
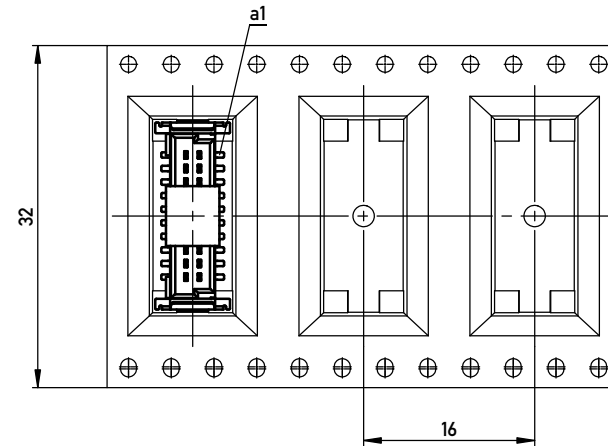


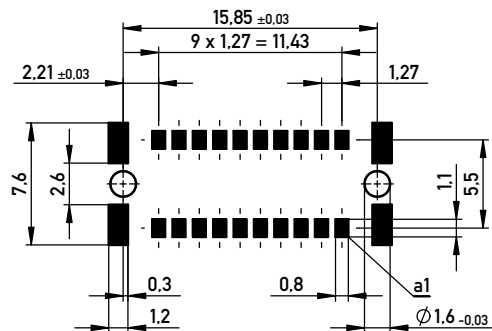
Verpackt in Gurtverpackung  
 Tape on Reel Packaging  
 Verpackungseinheit: 280 Stück  
 Packaging unit: 280 pcs



Abspulrichtung - Reel off Direction



Leiterplatten-Layout Vorschlag für SMT  
 PCB-Layout Proposal for SMT



BA 8 - 8mm Bauhöhe  
 type 8-13 - Low Profile

Information:	Tolerances	 All Dimensions in mm	Scale	3:1
	All rights reserved. Only for Information. To ensure that this is the latest version of this drawing, please contact one of the ERNI companies before using.		Designation <b>Messl. SMC-Q 20-SMD-BA8-13</b> <i>Male SMC-Q 20-SMD-type8-13</i>	
Subject to modification without prior notice. Drawing will not be updated.		www.ERNI.com	<b>254588</b>	
d	23.07.2013		Class SMCQ	
Index	Date	I <b>A3</b>		

Copyright by ERNI GmbH  
 Proprietary notice pursuant to ISO 9006 to be observed.