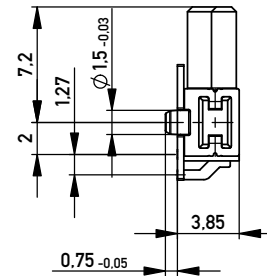
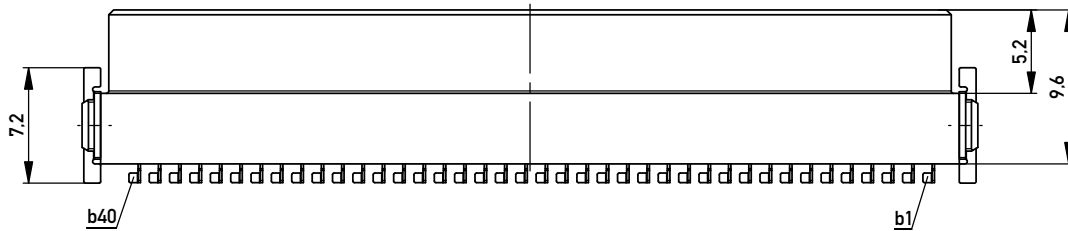
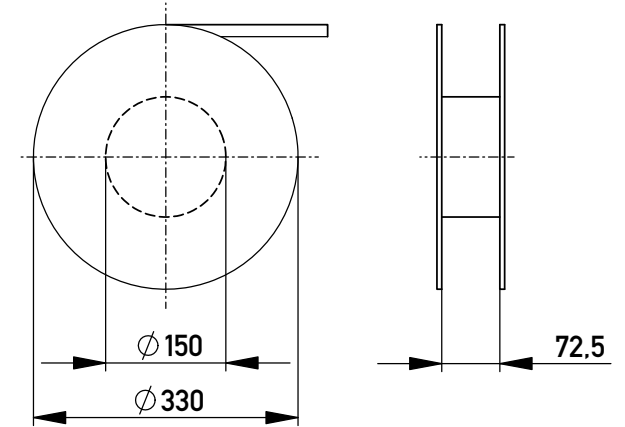
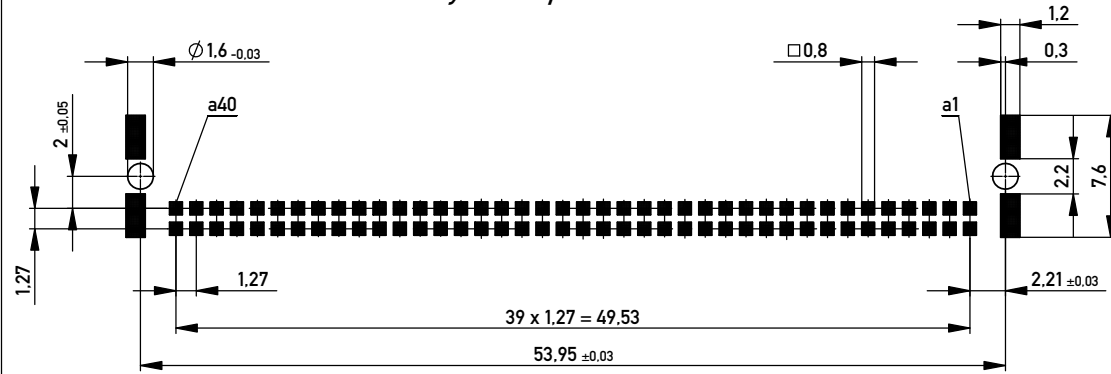
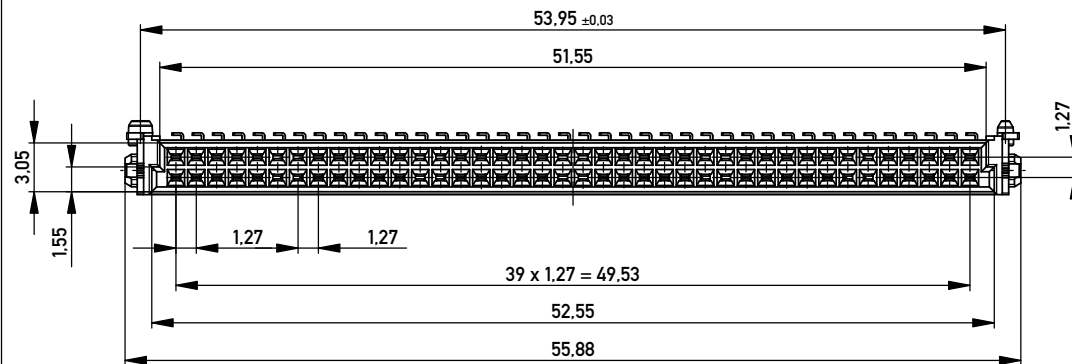
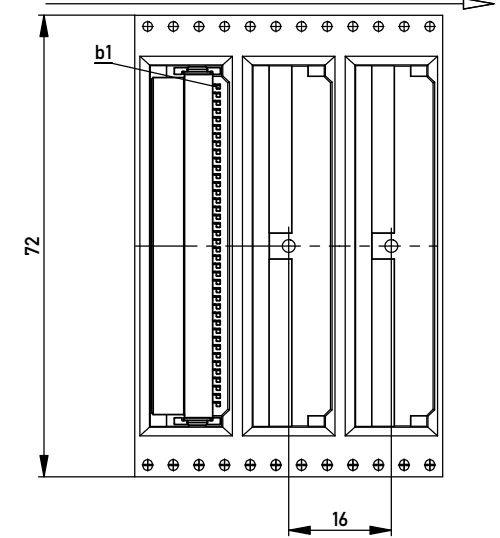


Leiterplatten-Layout Vorschlag für SMT
PCB-Layout Proposal for SMT

Verpackt in Gurtverpackung - *Tape on Reel Packaging*
Verpackungseinheit: 560 Stück - *Packaging unit: 560 pcs*



Abspulrichtung - *Reel off Direction*



Anforderungsstufe 1
Performance Level 1



Kontaktbereich vergoldet
Mating Area gold plating

Anschlussbereich verzinkt 4-6 μm
Terminal Area 4-6 μm tin plating

Koplanarität der Anschlüsse $\leq 0.1 \text{ mm}$
Coplanarity Area of Termination $\leq 0.1 \text{ mm}$

BA7-03 - Standard Bauhöhe

type7-03 - standard assembly height

Information:		Tolerances		Scale	3:1
All rights reserved. Only for Information. To ensure that this is the latest version of this drawing, please contact one of the ERNI companies before using.		All Dimensions in mm		Designation	
Subject to modification without prior notice. Drawing will not be updated.				Federl. SMC-Q 80-SMD-BA7-03 <i>Female SMC-Q 80-SMD-type7-03</i>	
e	04.04.2011	www.ERNI.com		154744	
Index	Date	Class		SMCQ	
				I A3	

Copyright by ERNI GmbH
Proprietary notice pursuant to ISO 16016 to be observed.