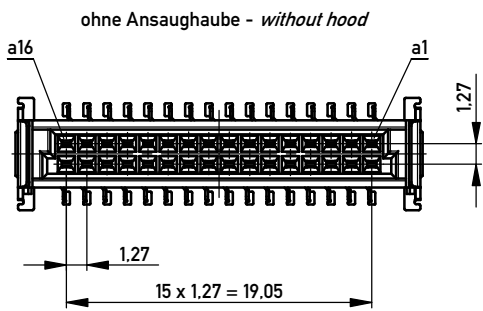
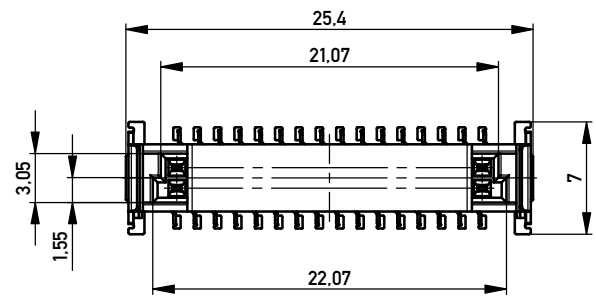
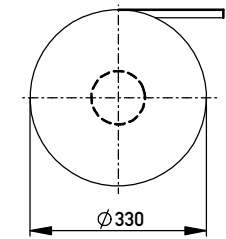
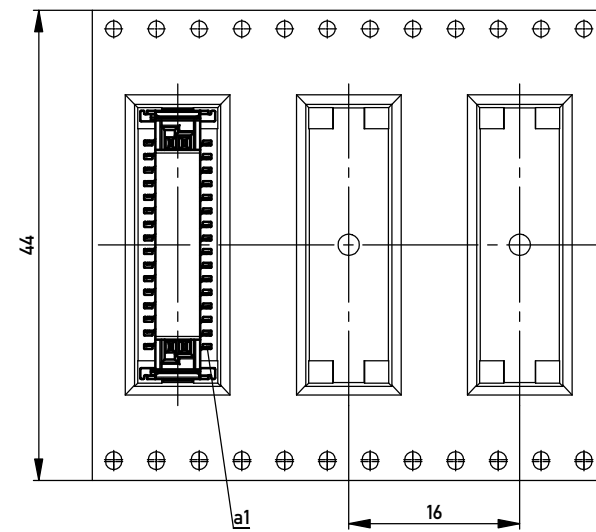


Verpackt im Gurt nach DIN IEC 60286-3
 Tape on Reel Packaging according to DIN IEC 60286-3
 Verpackungseinheit: 280 Stück
 Packaging unit: 280 pcs

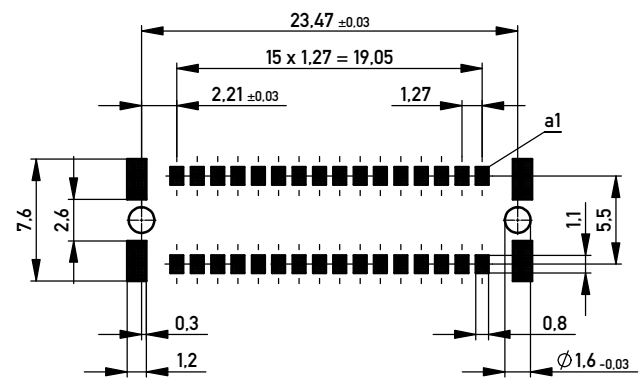


Abspulrichtung - Reel off Direction



- Anforderungsstufe 1
Performance Level 1
- Kontaktbereich vergoldet
Mating Area gold plating
- Anschlussbereich verzinkt 4-6 µm
Terminal Area 4-6 µm tin plating
- Koplanarität der Anschlüsse ≤ 0,1 mm
Coplanarity Area of Termination ≤ 0,1 mm

Leiterplatten-Layout Vorschlag für SMT
 PCB-Layout Proposal for SMT



BA 7-13 - 8mm Bauhöhe
 type7-13 - low profile

Copyright by ERNI GmbH
 Proprietary notice pursuant to ISO 16018 to be observed.

Information:		Tolerances	All Dimensions in mm	Scale	3:1
All rights reserved. Only for Information. To ensure that this is the latest version of this drawing, please contact one of the ERNI companies before using.		Subject to modification without prior notice. Drawing will not be updated.		Designation Federl. SMC-B 32-SMD-BA7-13 Female SMC-B 32-SMD-type7-13	
www.ERNI.com		354057		I A3	
c	15.01.2014	Class		SMCB	
Index	Date				