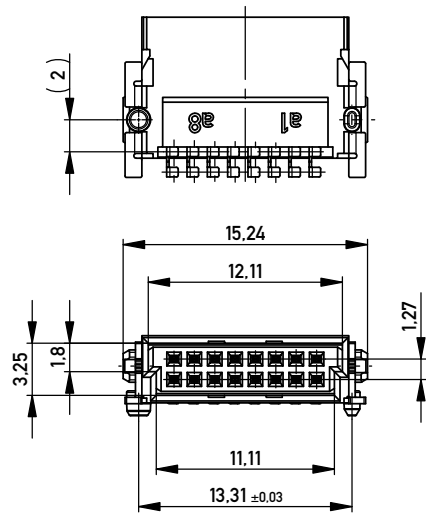


Verpackt in Gurtverpackung - *Tape on Reel Packaging*  
 Verpackungseinheit: 560 Stück - *Packaging unit: 560 pcs*

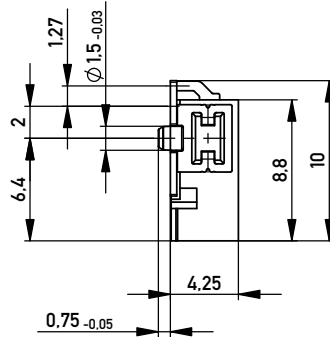
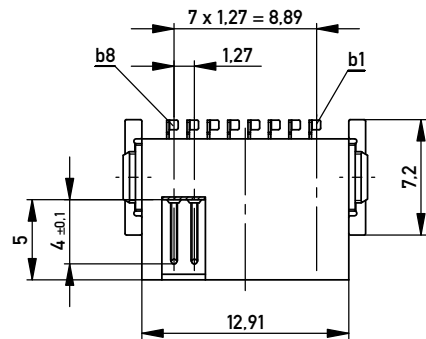
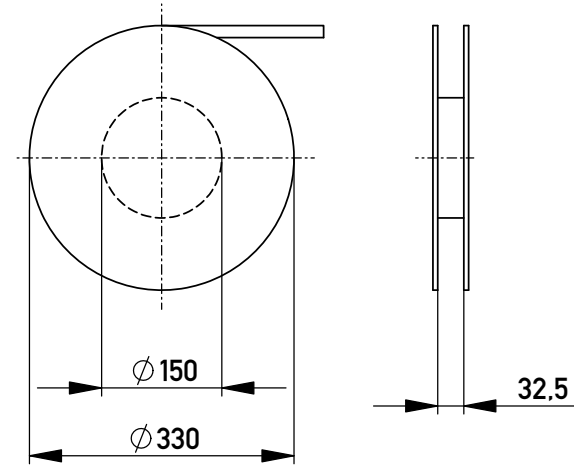


Anforderungsstufe 1  
*Performance Level 1*

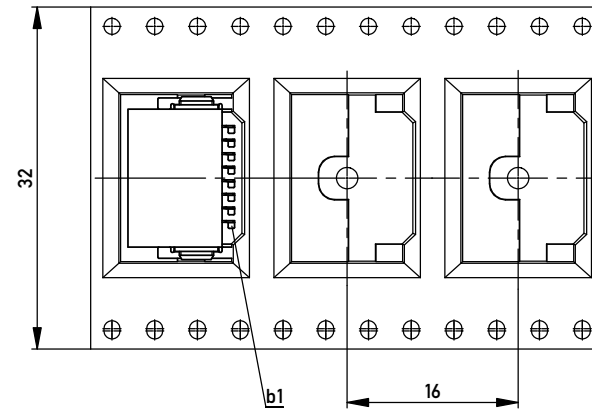
Kontaktbereich vergoldet  
*Mating Area gold plating*

Anschlussbereich verzinkt 4-6 µm  
*Terminal Area 4-6 µm tin plating*

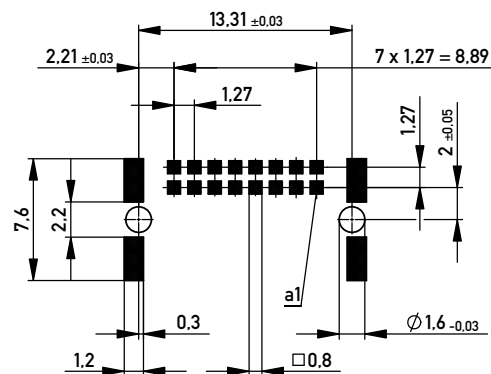
Koplanarität der Anschlüsse ≤ 0,1 mm  
*Coplanarity Area of Termination ≤ 0,1 mm*



Abspulrichtung - *Reel off Direction*



Leiterplatten-Layout Vorschlag für SMT  
*PCB-Layout Proposal for SMT*



BA7-03 - Standard Bauhöhe  
 type7-03 - Standard Assembly Height

Information:		Tolerances	All Dimensions in mm	Scale 3:1
All rights reserved. Only for Information. To ensure that this is the latest version of this drawing, please contact one of the ERNI companies before using.		Subject to modification without prior notice. Drawing will not be updated.		Designation <b>Messrl. SMC-B 16-SMD-BA7-03</b> <i>Male SMC-B 16-SMD-type7-03</i>
www.ERNI.com		<b>354094</b>		I A3
a	18.10.2011	Class		SMCB
Index	Date			

Copyright by ERNI GmbH  
 Proprietary notice pursuant to ISO 16016 to be observed.