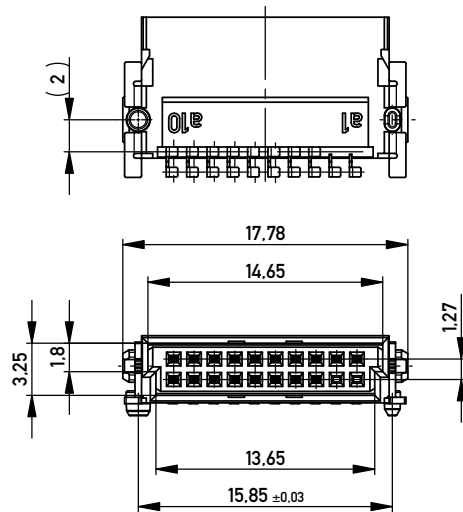


Verpackt in Gurtverpackung - *Tape on Reel Packaging*
 Verpackungseinheit: 560 Stück - *Packaging unit: 560 pcs*

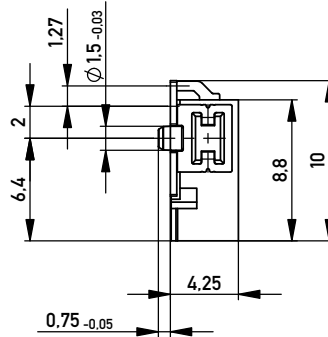
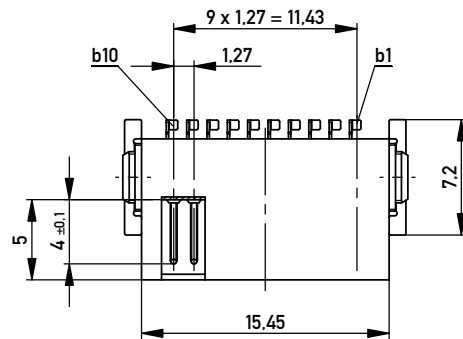
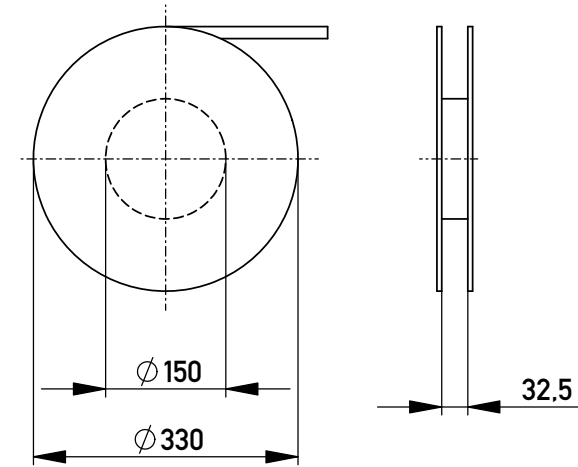


Anforderungsstufe 1
Performance Level 1

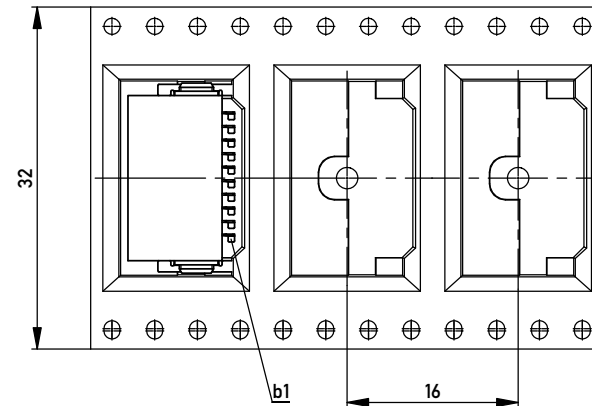
Kontaktbereich vergoldet
Mating Area gold plating

Anschlussbereich verzinkt 4-6 µm
Terminal Area 4-6 µm tin plating

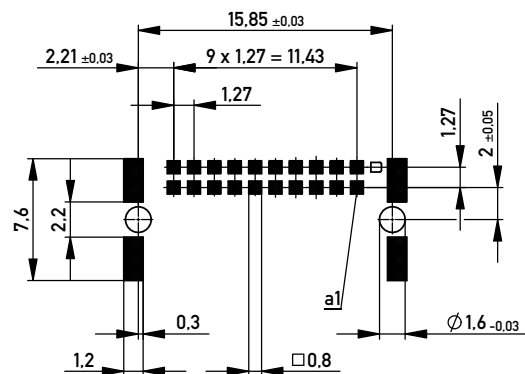
Koplanarität der Anschlüsse ≤ 0,1 mm
Coplanarity Area of Termination ≤ 0,1 mm



Abspulrichtung - *Reel off Direction*

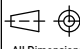



Leiterplatten-Layout Vorschlag für SMT
PCB-Layout Proposal for SMT



BA7-03 - Standard Bauhöhe

type7-03 - Standard Assembly Height

Information:		Tolerances		Scale	3:1
All rights reserved. Only for Information. To ensure that this is the latest version of this drawing, please contact one of the ERNI companies before using.		All Dimensions in mm		Designation	
Subject to modification without prior notice. Drawing will not be updated.				Messerl. SMC-B 20-SMD-BA7-03 Male SMC-B 20-SMD-type7-03	
www.ERNI.com		354095		I	
a	18.10.2011	Date		A3	
Index		Date		Class	
		SMCB			

Copyright by ERNI GmbH
 Proprietary notice pursuant to ISO 16016 to be observed.