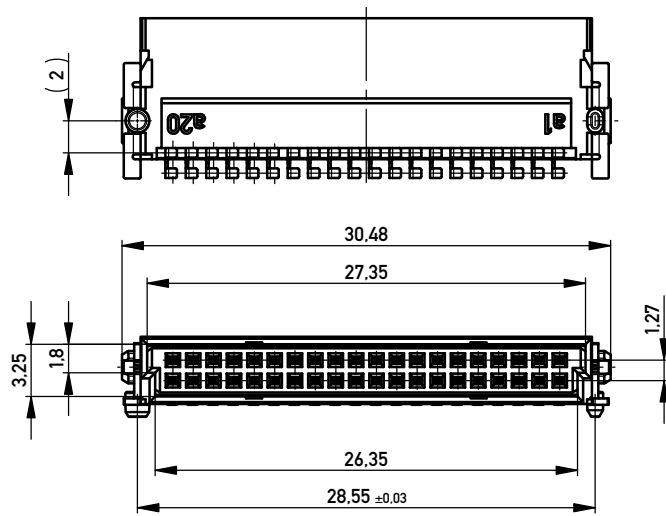


Verpackt in Gurtverpackung - *Tape on Reel Packaging*  
 Verpackungseinheit: 560 Stück - *Packaging unit: 560 pcs*

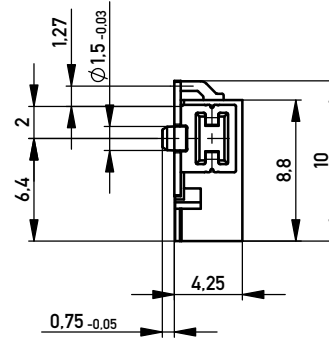
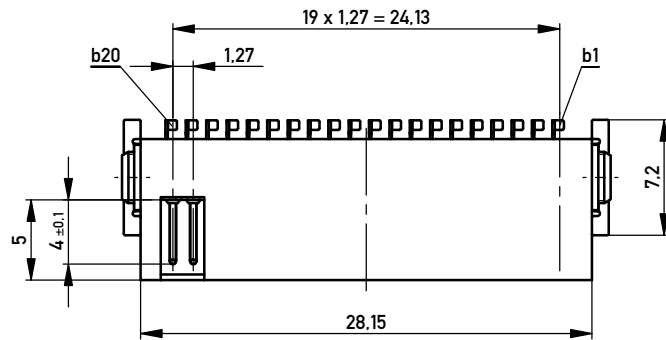
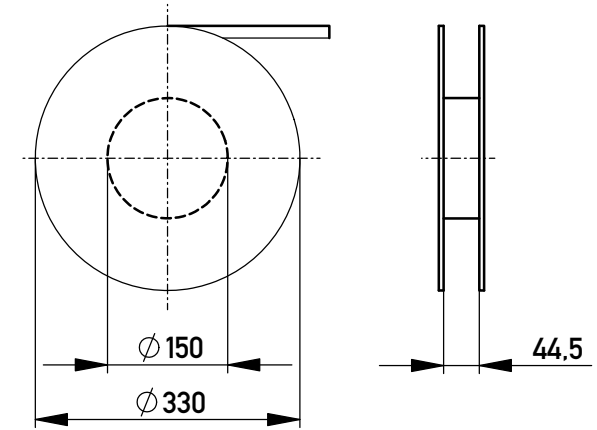


Anforderungsstufe 1  
*Performance Level 1*

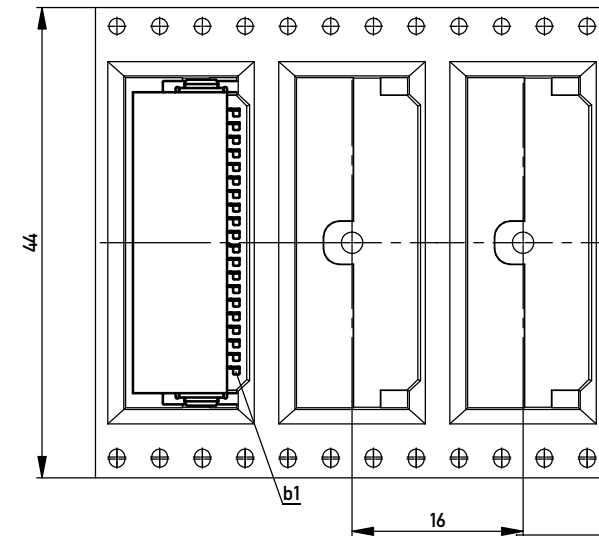
Kontaktbereich vergoldet  
*Mating Area gold plating*

Anschlussbereich verzinkt 4-6 µm  
*Terminal Area 4-6 µm tin plating*

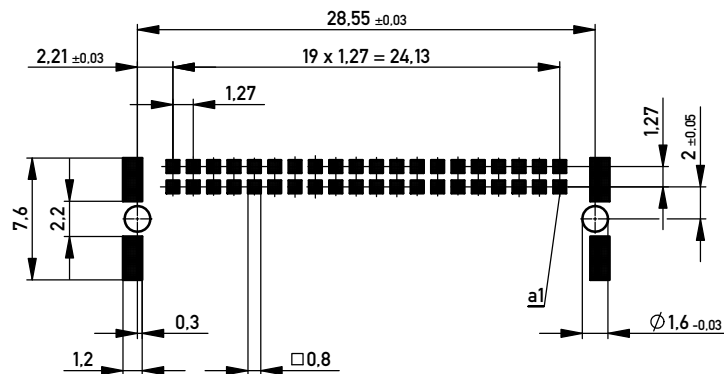
Koplanarität der Anschlüsse ≤ 0,1 mm  
*Coplanarity Area of Termination ≤ 0,1 mm*



Abspulrichtung - *Reel off Direction*



Leiterplatten-Layout Vorschlag für SMT  
*PCB-Layout Proposal for SMT*



BA7-03 - Standard Bauhöhe  
 type7-03 - Standard Assembly Height

Information:	Tolerances	 All Dimensions in mm	Scale	3:1
	All rights reserved. Only for Information. To ensure that this is the latest version of this drawing, please contact one of the ERNI companies before using.		Designation <b>Messertl. SMC-B 40-SMD-BA7-03</b> <b>Male SMC-B 40-SMD-type7-03</b>	
Subject to modification without prior notice. Drawing will not be updated.		www.ERNI.com		354097
a	19.10.2011	Class		SMCB
Index	Date			A3

Copyright by ERNI GmbH  
 Proprietary notice pursuant to ISO 9006 to be observed.