

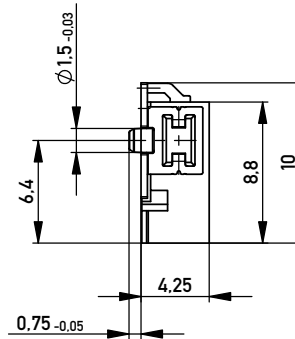
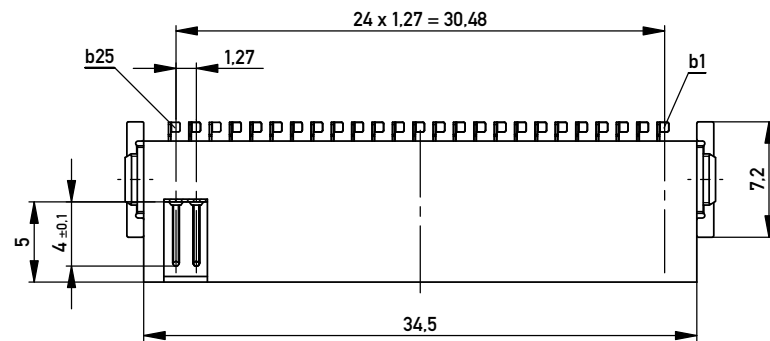
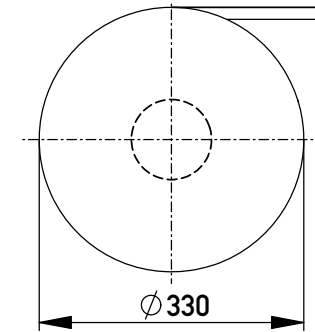
Anforderungsstufe 1  
Performance Level 1

Kontaktbereich vergoldet  
Mating Area gold plating

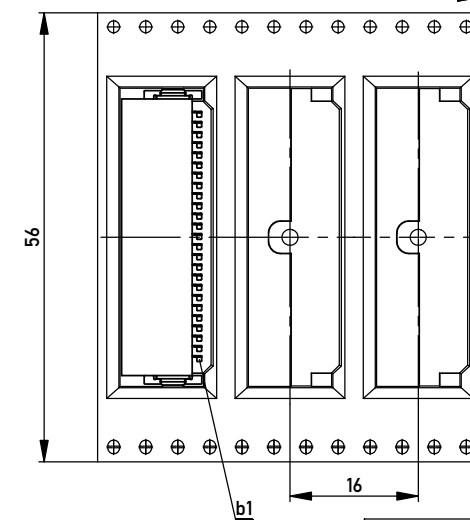
Anschlussbereich verzinkt 4-6 µm  
Terminal Area 4-6 µm tin plating

Koplanarität der Anschlüsse ≤ 0.1 mm  
Coplanarity Area of Termination ≤ 0.1 mm

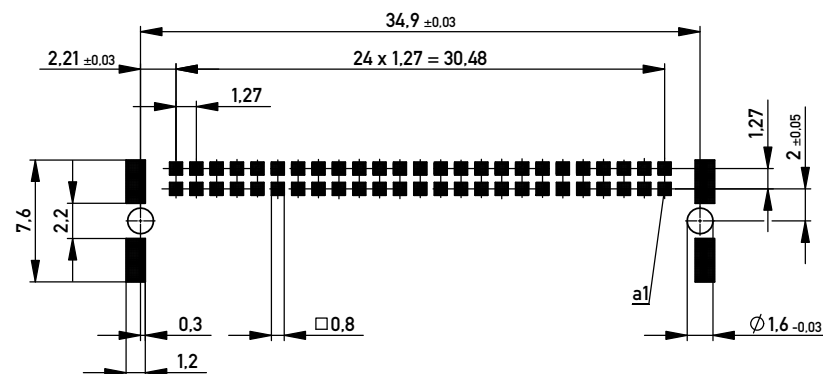
Verpackt in Gurtverpackung  
Tape on Reel Packaging  
Verpackungseinheit: 560 Stück  
Packaging unit: 560 pcs



Abspulrichtung - Reel off Direction



Leiterplatten-Layout Vorschlag für SMT  
PCB-Layout Proposal for SMT



BA7-03 - Standard Bauhöhe  
type7-03 - Standard Assembly Height

|                                                                                                                                                                                        |                                                                               |                          |             |                                                                           |
|----------------------------------------------------------------------------------------------------------------------------------------------------------------------------------------|-------------------------------------------------------------------------------|--------------------------|-------------|---------------------------------------------------------------------------|
| Information:<br><br>All rights reserved.<br>Only for Information.<br>To ensure that this is the latest version of this drawing, please contact one of the ERNI companies before using. | Tolerances                                                                    | <br>All Dimensions in mm | Scale       | 3:1                                                                       |
|                                                                                                                                                                                        | Subject to modification without prior notice.<br>Drawing will not be updated. |                          | Designation | <b>Messertl. SMC-B 50-SMD-BA7-03</b><br><b>Male SMC-B 50-SMD-type7-03</b> |
| <br>www.ERNI.com                                                                                                                                                                       | <b>154765</b>                                                                 |                          | I<br>A3     |                                                                           |
| d<br>Index                                                                                                                                                                             | 02.09.2013<br>Date                                                            | Class<br>SMCB            |             |                                                                           |

Copyright by ERNI GmbH.  
Proprietary notice pursuant to ISO 9006 to be observed.