

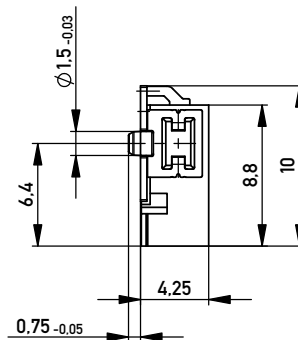
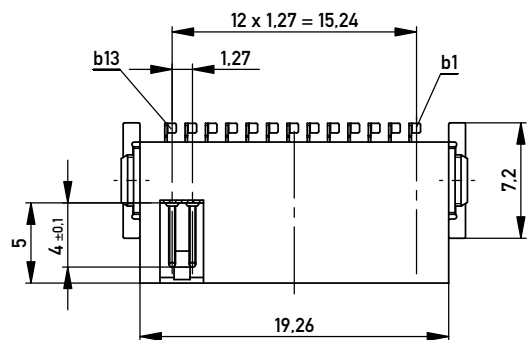
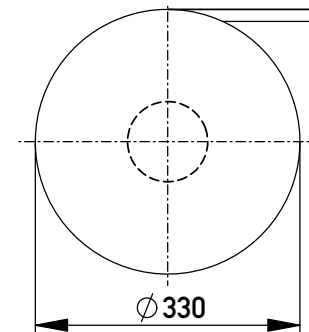
Anforderungsstufe 1
Performance Level 1

Kontaktbereich vergoldet
Mating Area gold plating

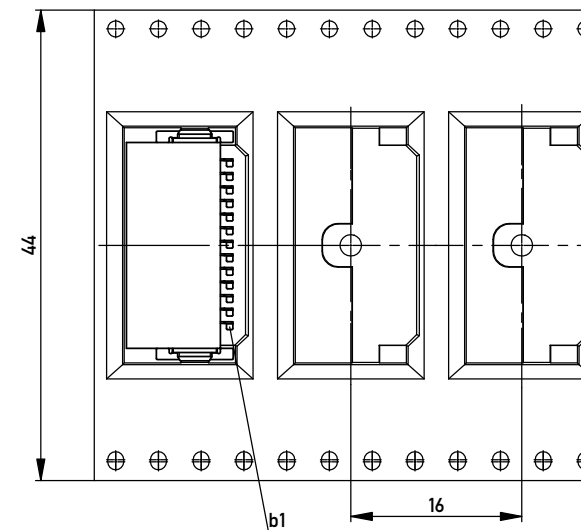
Anschlussbereich verzinkt 4-6 µm
Terminal Area 4-6 µm tin plating

Koplanarität der Anschlüsse ≤ 0,1 mm
Coplanarity Area of Termination ≤ 0,1 mm

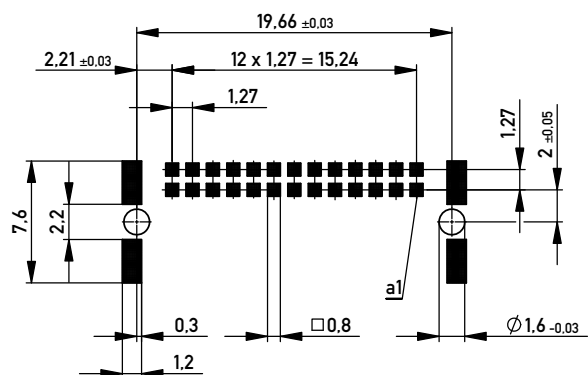
Verpackt in Gurtverpackung
Tape on Reel Packaging
Verpackungseinheit: 560 Stück
Packaging unit: 560 pcs



Abspulrichtung - Reel off Direction



Leiterplatten-Layout Vorschlag für SMT
PCB-Layout Proposal for SMT



BA7-03 - Standard Bauhöhe
type7-03 - Standard Assembly Height

Information:	Tolerances	 All Dimensions in mm	Scale	3:1
	All rights reserved. Only for Information. To ensure that this is the latest version of this drawing, please contact one of the ERNI companies before using.		Designation Messertl. SMC-B 26-SMD-BA7-03 Male SMC-B 26-SMD-type7-03	
Subject to modification without prior notice. Drawing will not be updated.		 www.ERNI.com	154764	
d	02.09.2013		Class SMCB	
Index	Date	I A3		

Copyright by ERNI GmbH
Proprietary notice pursuant to ISO 9006 to be observed.