

**RoHS Compliant**

**Order Information**

**EH - XX S X X**

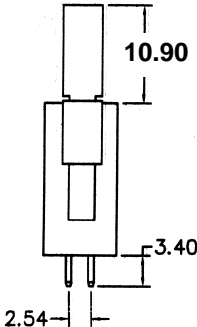
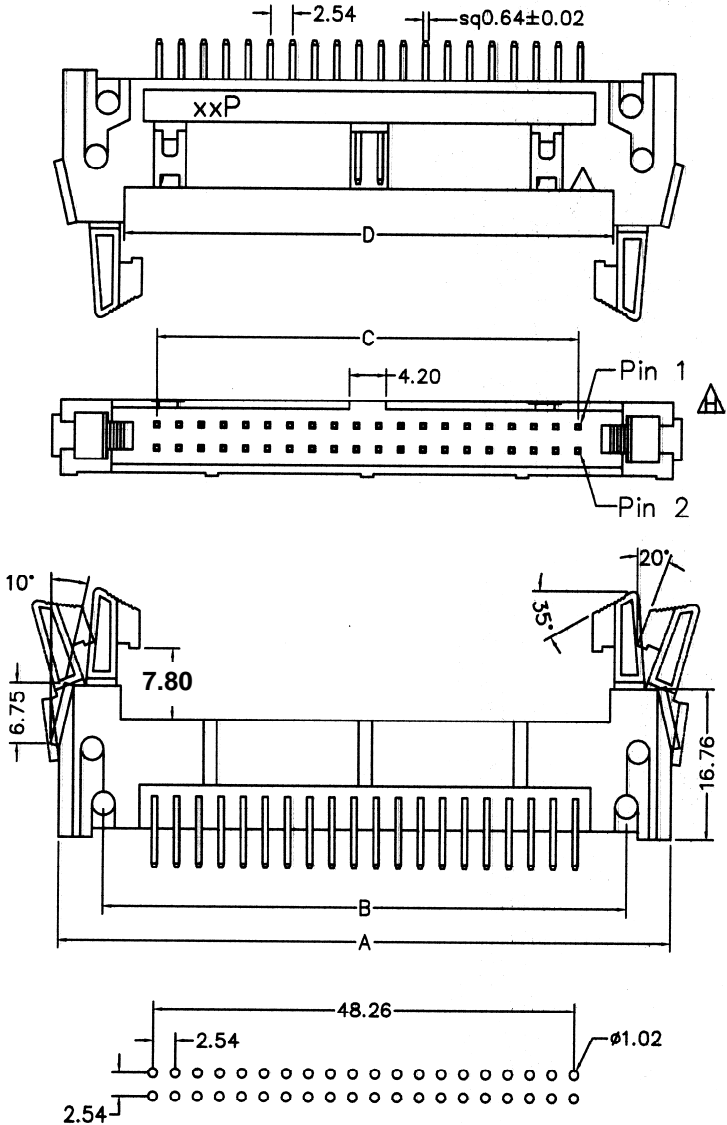
- \* Contacts plating:  
 G = Full gold  
 S = Selective gold  
 T = Tin plated
- \* Ejector type:  
 L - Long  
 S - Short  
 N - None
- \* S - Straight
- \* Contact No.

**Material**

Insulator : PBT, UL 94V-0  
 Contacts : Brass, Gold over Nickel plating

**Specifications**

Current rate : 1 Amp.  
 Insulation resistance : 1,000M  $\Omega$  min.  
 Contact resistance : 10m  $\Omega$  max.  
 Dielectric voltage : 500V AC for 1 minute  
 Operation temperature : - 55°C ~ + 105°C



Recommended P.C.B Layout

No. of contact	Dimensions			
	A	B	C	D
10	31.87	21.70	10.16	17.90
14	36.95	26.88	15.24	22.95
16	39.48	29.27	17.78	25.50
20	44.62	34.50	22.86	40.58
24	49.67	39.50	27.94	35.70
26	52.23	42.05	30.48	38.25
30	57.30	47.20	35.56	43.35
34	62.38	52.15	40.64	48.40
40	69.95	59.90	48.26	56.05
50	82.70	72.55	60.96	68.70
60	95.45	85.25	73.66	81.50
64	100.60	90.35	78.74	86.40