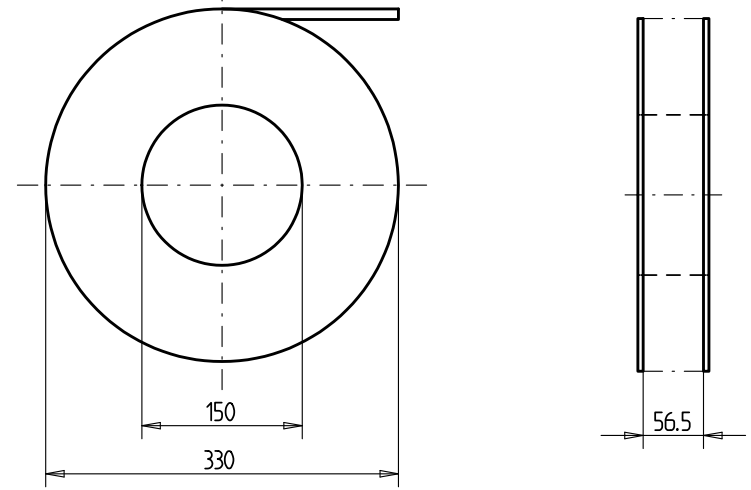
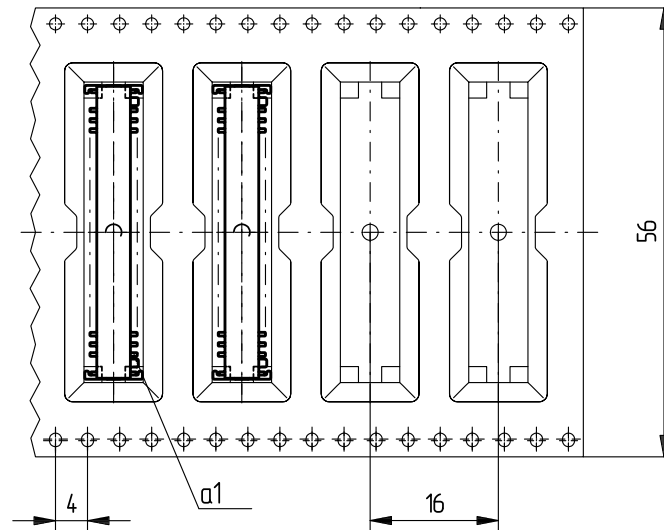


Verpackt in Gurtverpackung - Tape on Reel Packaging
 Verpackungseinheit: 280 Stück - Packaging unit: 280 pcs



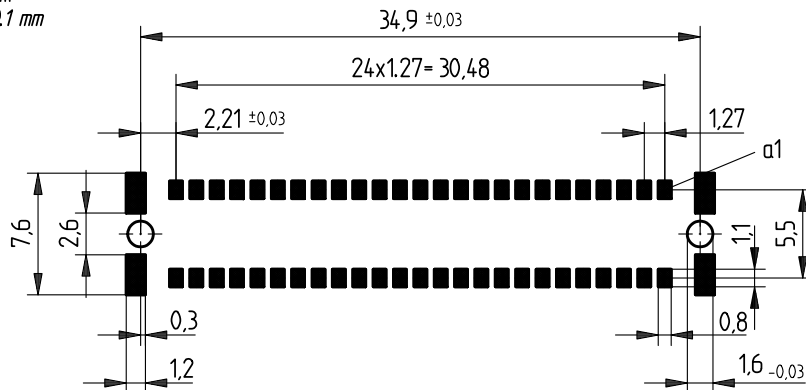
Abspulrichtung - Reel off Direction



8mm Bauhöhe
 low profile

Anforderungsstufe 1
 Performance Level 1
 Kontaktbereich vergoldet
 Mating Area gold plating
 Anschlussbereich verzinkt 4-6 µm
 Terminal Area 4-6 µm tin plating
 Koplanarität der Anschlüsse ≤ 0.1mm
 Coplanarity Area of Termination ≤ 0.1 mm

Leiterplatten-Layout Vorschlag für SMT
 PCB-Layout Proposal for SMT



Consider protection memo from DIN 34

Information:	Tolerances	Scale 3:1
All rights reserved. Only for information. To insure that this is the latest version of this drawing, please contact one of the ERNI companies before using.	Subject to modification without prior notice. Drawing will not be updated.	Designation
		Federleiste SMC-B, 50 polig Fem. Conn. SMC-B, 50 contacts
www.ERNI.com	064316	1
c	12.02.2008	M:00054890.SZA
Index	Date	SMCB