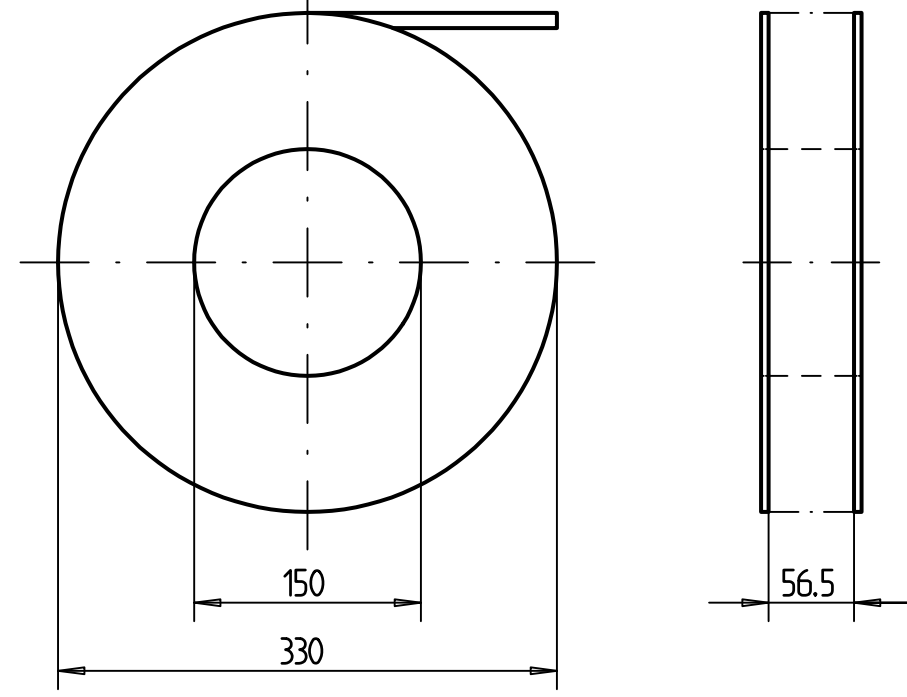
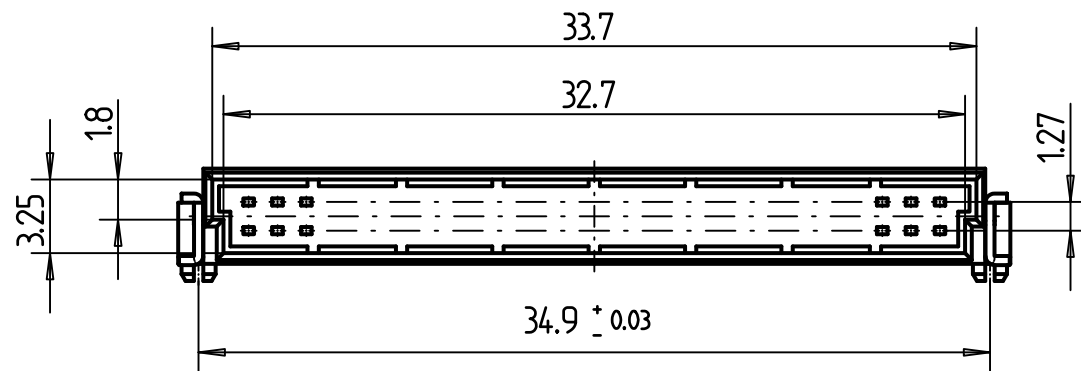
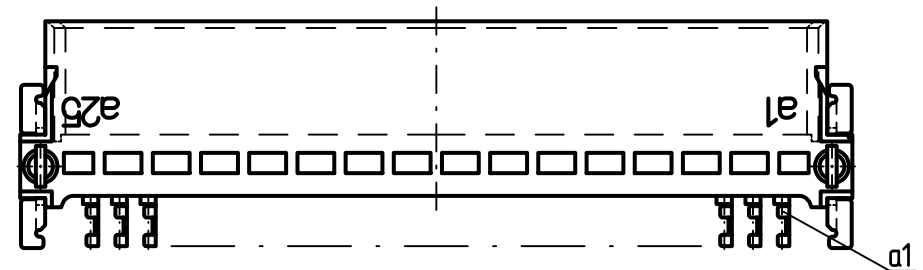
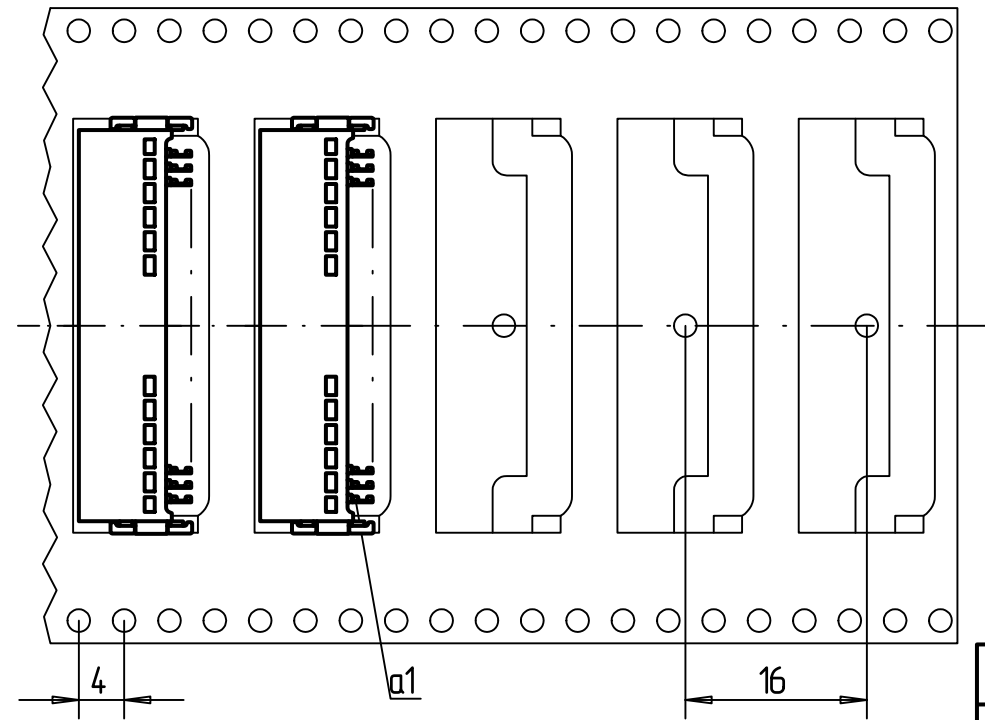
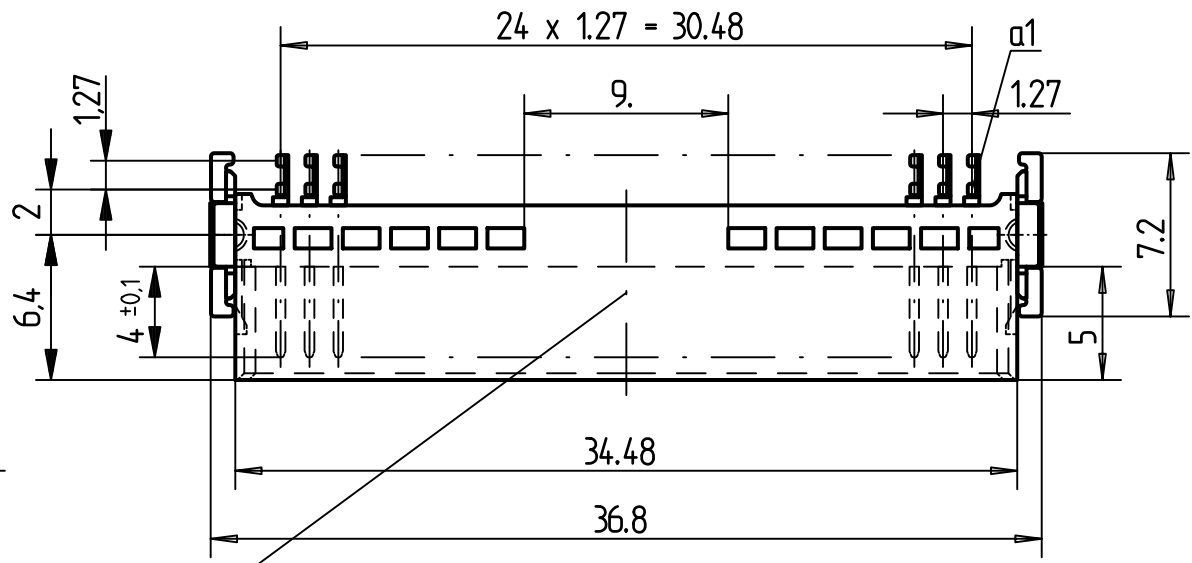
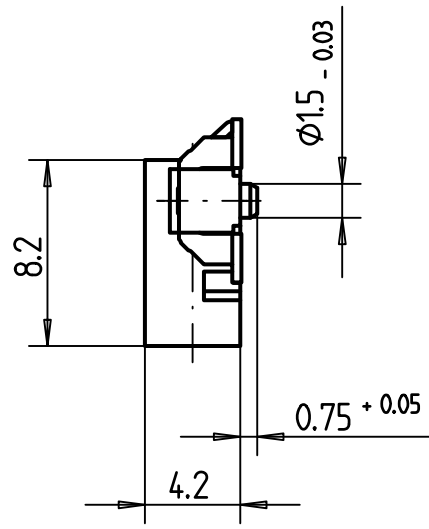


Verpackt in Gurtverpackung - Tape on Reel Packaging
 Verpackungseinheit: 560 Stück - Packaging unit: 560 pcs

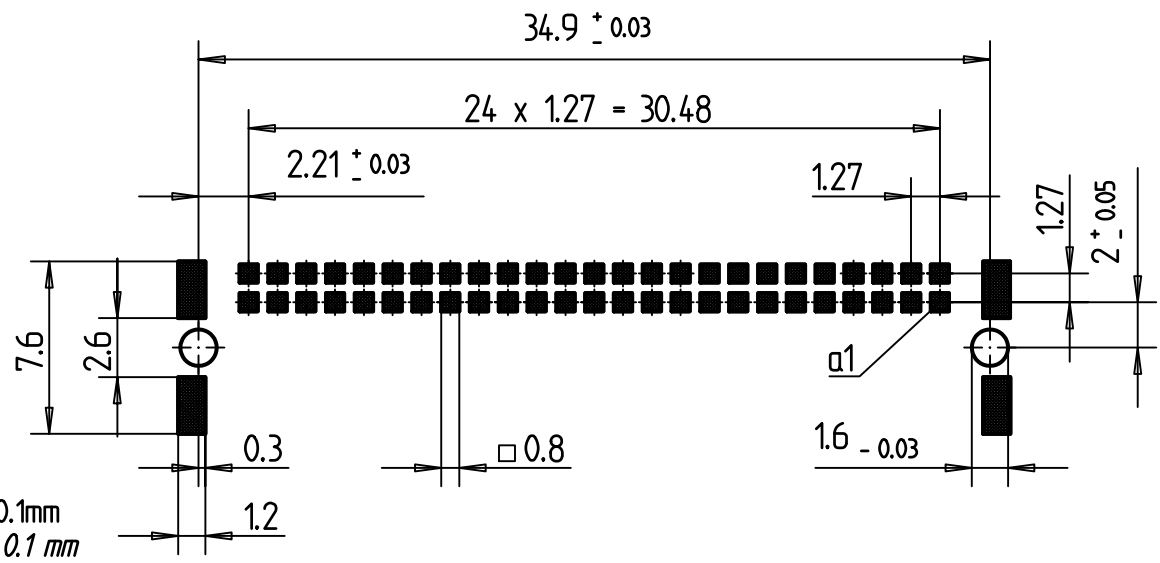


Abspulrichtung - Reel off Direction



Fläche für Saugpipette
 Area for Pipette

Leiterplatten-Layout Vorschlag für SMT
 PCB-Layout Proposal for SMT



Anforderungsstufe 1
 Performance Level 1
 Kontaktbereich vergoldet
 Mating Area gold plating
 Anschlussbereich verzinkt 4-6 µm
 Terminal Area 4-6 µm tin plating
 Koplantariet der Anschuesse ≤ 0.1mm
 Coplanarity Area of Termination ≤ 0.1 mm

Standard Bauhöhe
 Standard Assembly Height

Information: All rights reserved. Only for information. To insure that this is the latest version of this drawing, please contact one of the ERNI companies before using.	Tolerances	 All Dimensions in mm	Scale	3:1
	Subject to modification without prior notice. Drawing will not be updated.		Designation Messerleiste SMC-B, 50 polig Male Conn. SMC-B, 50 contacts	
a Index	10.02.2011 Date	 www.ERNI.com	054596 SMCB	
Consider protection memo from DIN 34		M:00070553.SZA		