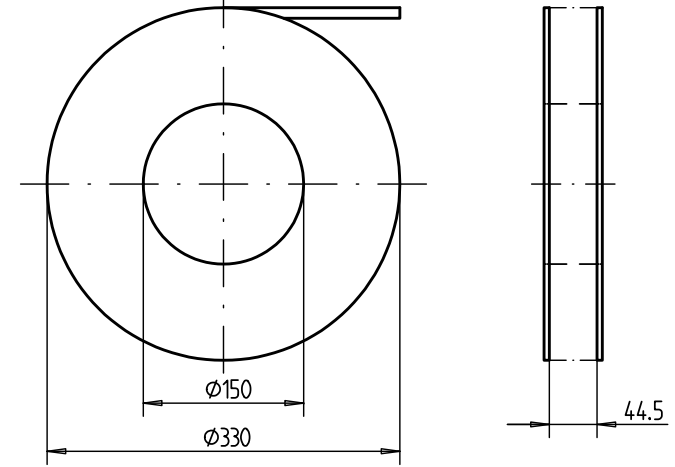
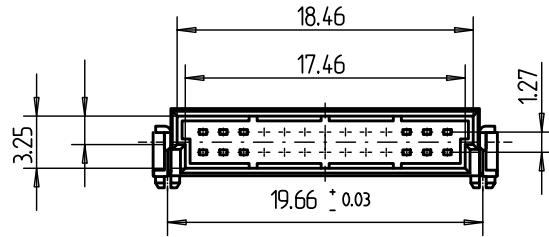
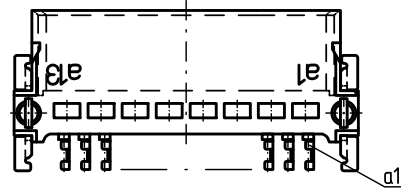
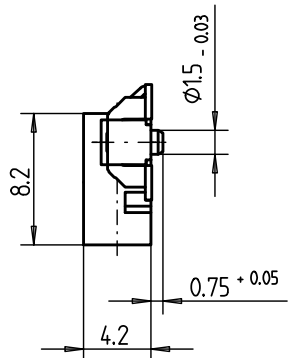
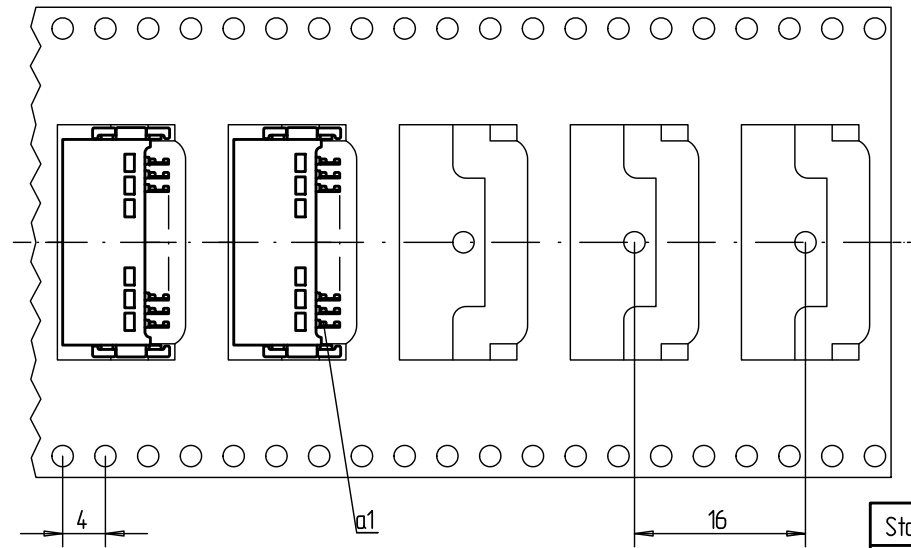


Verpackt in Gurtverpackung - *Tape on Reel Packaging*  
 Verpackungseinheit: 560 Stück - *Packaging unit: 560 pcs*

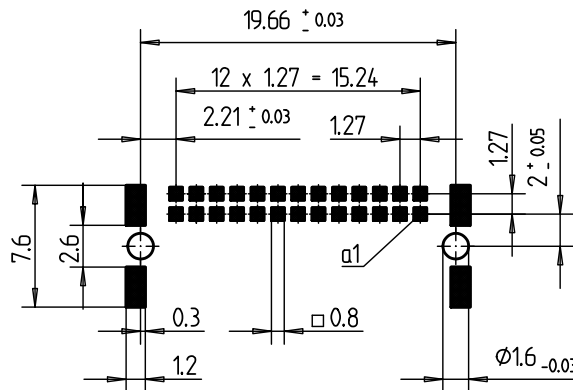


Abspulrichtung - *Reel off Direction* →



Fläche für Saugpipette  
*Area for Pipette*

Leiterplatten-Layout Vorschlag für SMT  
*PCB-Layout Proposal for SMT*



Anforderungsstufe 1  
*Performance Level 1*

Kontaktbereich vergoldet  
*Mating Area gold plating*

Anschlussbereich verzinkt 4-6 µm  
*Terminal Area 4-6 µm tin plating*

Koplanarität der Anschlüsse ≤ 0.1mm  
*Coplanarity Area of Termination ≤ 0.1 mm*

Standard Bauhöhe  
*Standard Assembly Height*

Information: All rights reserved. Only for information. To insure that this is the latest version of this drawing, please contact one of the ERNI companies before using.	Tolerances All Dimensions in mm	Scale 3:1	Designation <b>Messerleiste SMC-B, 26 polig</b> <b>Male Conn. SMC-B, 26 contacts</b>
	www.ERNI.com		
Consider protection memo from DIN 34	01.03.2010 Date	M:00069192.SZA	SMCB