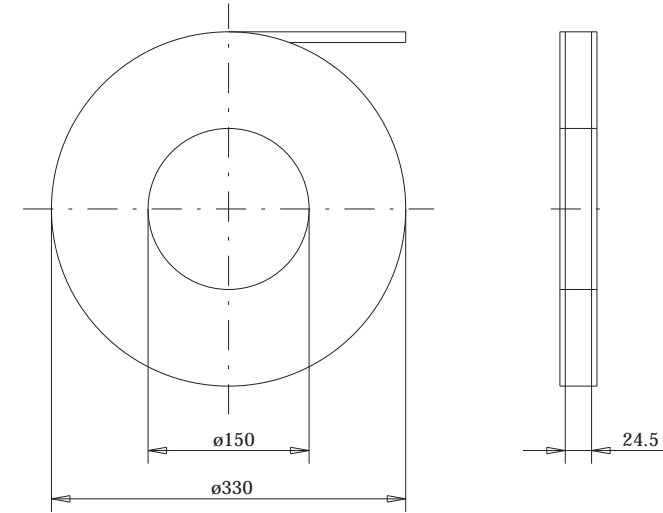
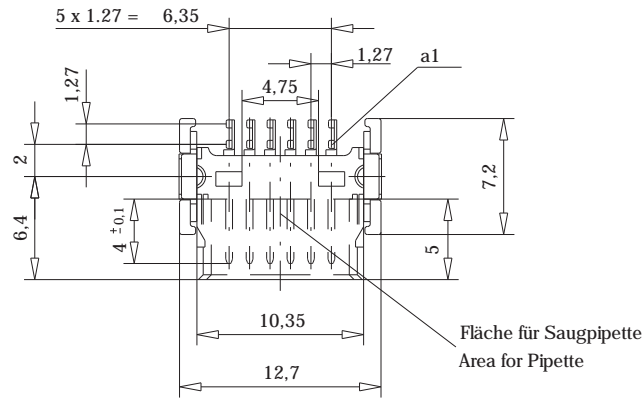
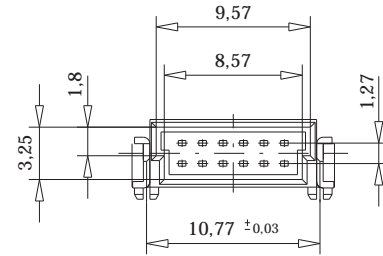
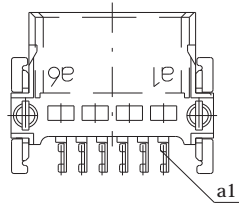
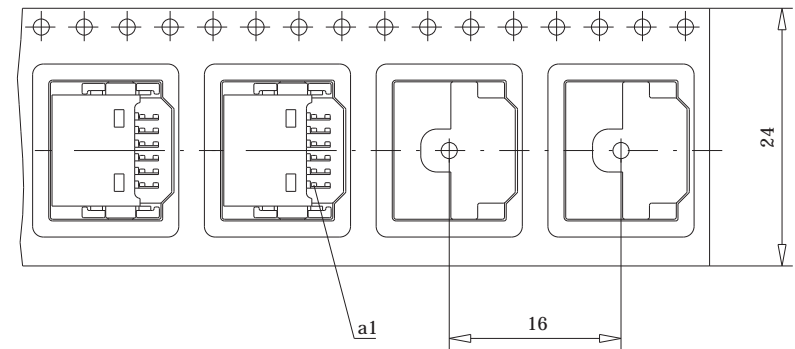


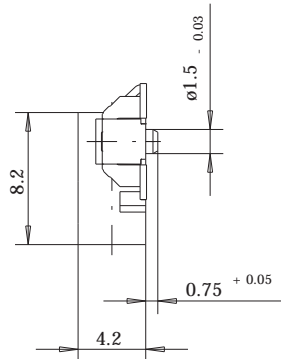
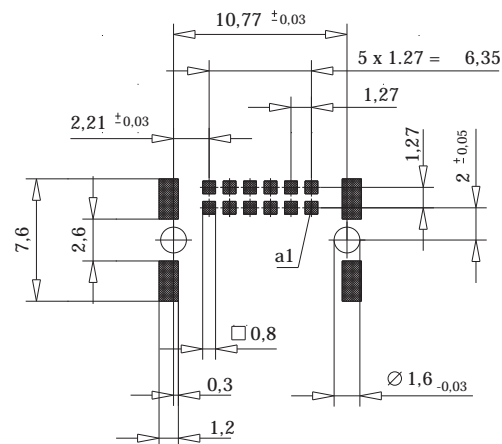
Verpackt in Gurtverpackung - Tape on Reel Packaging
 Verpackungseinheit: 560 Stück - Packaging unit: 560 pcs



Abspulrichtung - Reel off Direction



Leiterplatten-Layout Vorschlag für SMT
 PCB-Layout Proposal for SMT



Anforderungsstufe 1
 Performance Level 1
 Kontaktbereich vergoldet
 Mating Area gold plating
 Anschlussbereich verzinkt 4-6 µm
 Terminal Area 4-6 µm tin plating
 Koplanarität der Anschlüsse ≤ 0.1mm
 Coplanarity Area of Termination ≤ 0.1 mm

Standard Bauhöhe
 Standard Assembly Height

Information:	Tolerances All Dimensions in mm	Scale	3:1
		Designation Messerleiste SMC-B, 12 polig Male Conn. SMC-B, 12 contacts	
All rights reserved. Only for information. To insure that this is the latest version of this drawing, please contact one of the ERNI companies before using.		Subject to modification without prior notice. Drawing will not be updated.	
www.ERNI.com		054594	
e	05.04.2004	1	
Index	Date	H:00039799.SZN SMCB	

Consider protection memo from DIN 94