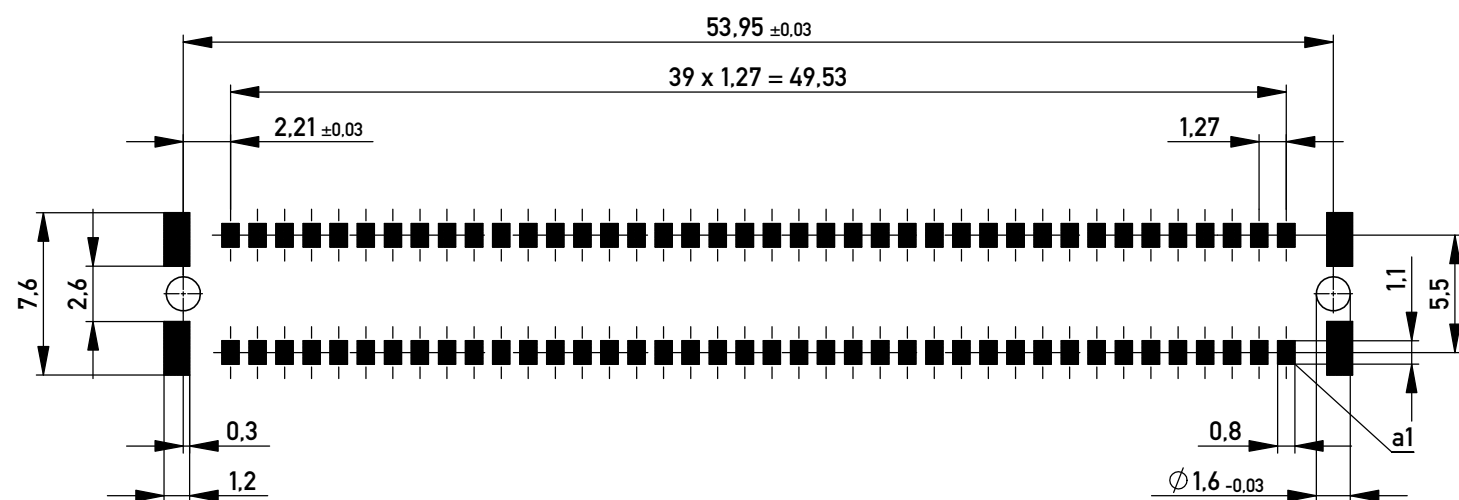
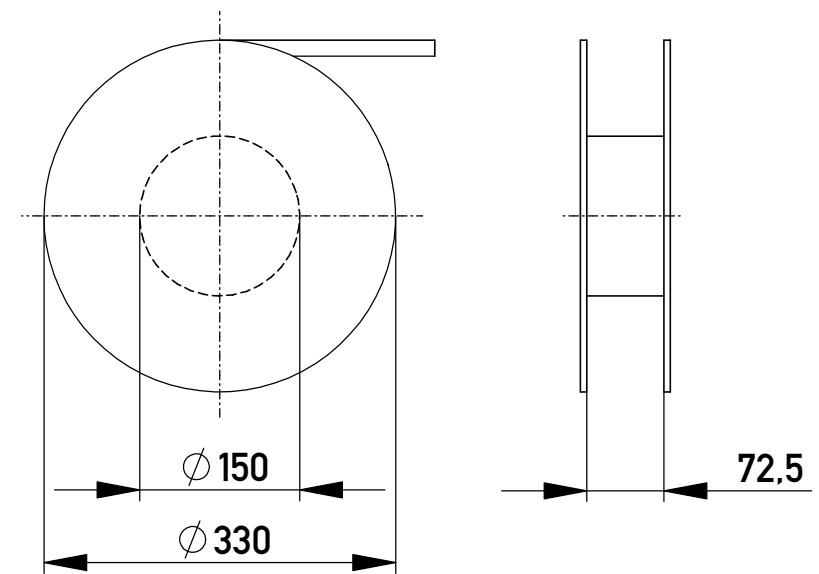


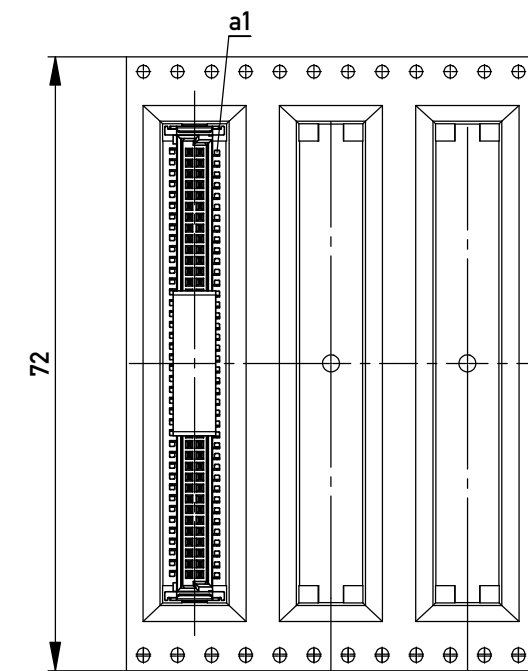
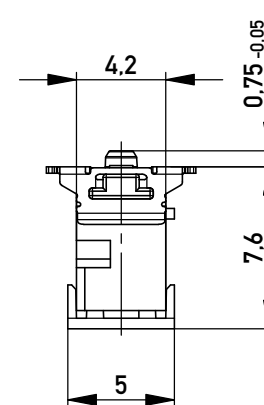
Leiterplatten-Layout Vorschlag für SMT
PCB-Layout Proposal for SMT



Verpackt in Gurtverpackung - *Tape on Reel Packaging*
Verpackungseinheit: 280 Stück - *Packaging unit: 280 pcs*



Abspulrichtung - *Reel off Direction*



Anforderungsstufe 1
Performance Level 1

Kontaktbereich vergoldet
Mating Area gold plating

Anschlussbereich verzinkt 4-6 µm
Terminal Area 4-6 µm tin plating

Koplanarität der Anschlüsse ≤ 0,1 mm
Coplanarity Area of Termination ≤ 0,1 mm

BA 7-13 - 8mm Bauhöhe
type 7-13 - Low Profile

Information: All rights reserved. Only for Information. To ensure that this is the latest version of this drawing, please contact one of the ERNI companies before using.	Tolerances All Dimensions in mm	Scale 3:1	Designation Messerl. SMC-Q 80-SMD-BA7-13 Male SMC-Q 80-SMD-type7-13
	Subject to modification without prior notice. Drawing will not be updated.		
c	21.10.2011	Class SMCQ	154822
Index	Date		

Copyright by ERNI GmbH
Proprietary notice pursuant to ISO 16016 to be observed.