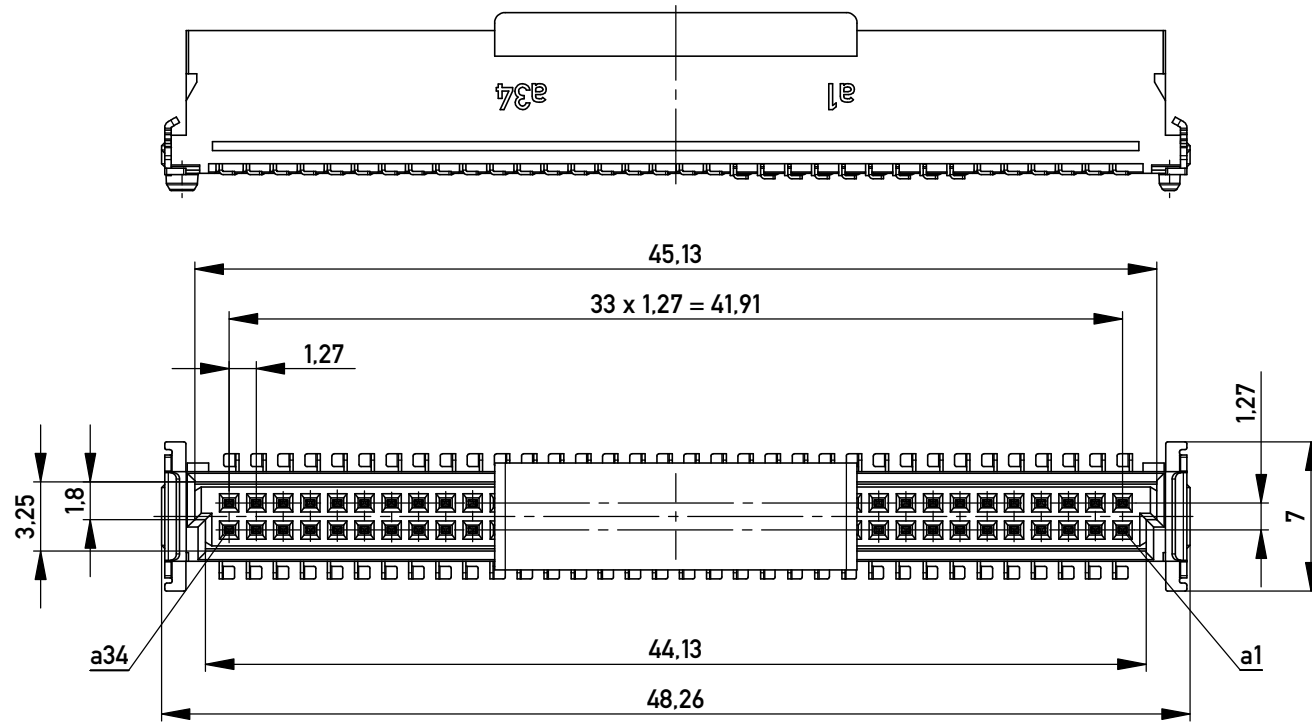


Verpackt in Gurtverpackung - *Tape on Reel Packaging*
 Verpackungseinheit: 280 Stück - *Packaging unit: 280 pcs*

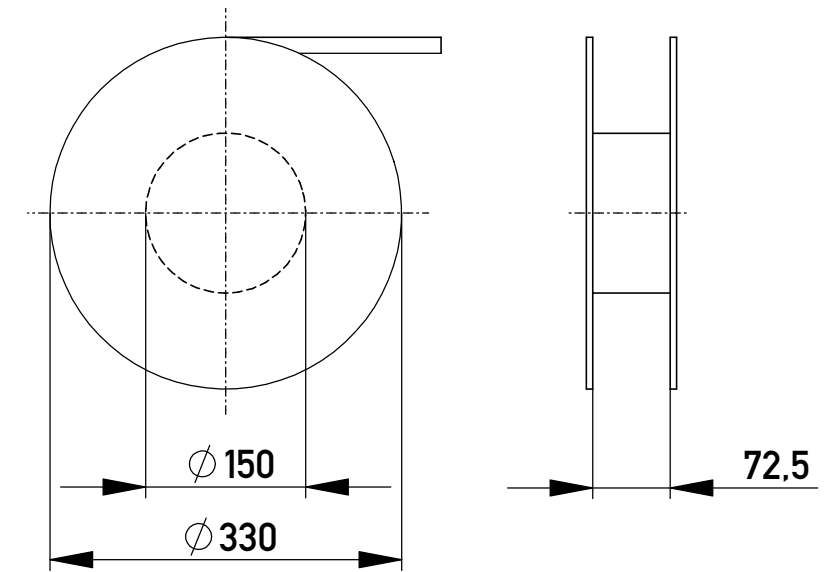


Anforderungsstufe 1
Performance Level 1

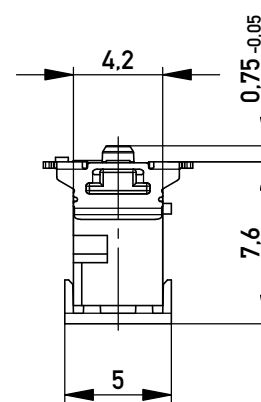
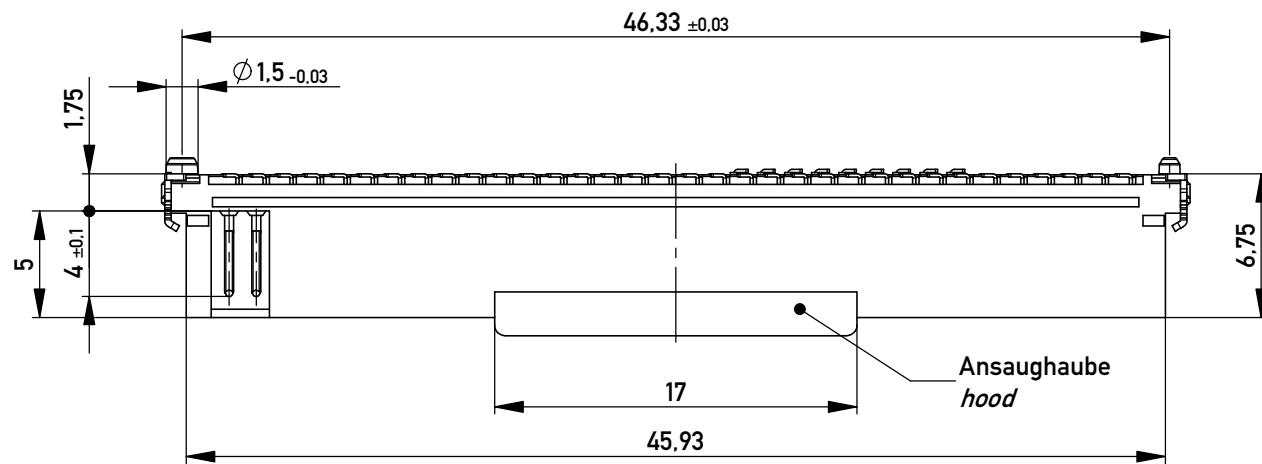
Kontaktbereich vergoldet
Mating Area gold plating

Anschlussbereich verzinkt 4-6 µm
Terminal Area 4-6 µm tin plating

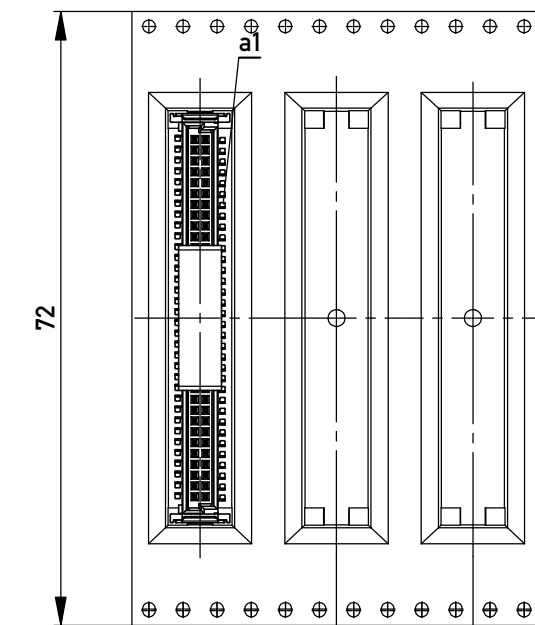
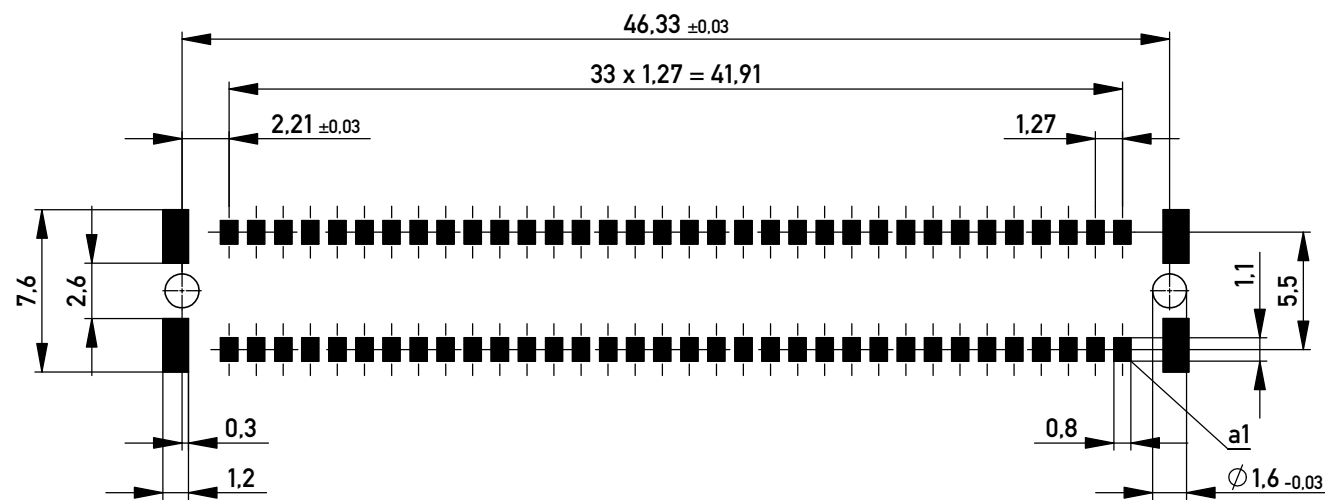
Koplanarität der Anschlüsse ≤ 0,1 mm
Coplanarity Area of Termination ≤ 0,1 mm



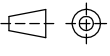

Abspulrichtung - *Reel off Direction*



Leiterplatten-Layout Vorschlag für SMT
PCB-Layout Proposal for SMT



BA 7-13 - 8mm Bauhöhe
type 7-13 - Low Profile

Information: All rights reserved. Only for Information. To ensure that this is the latest version of this drawing, please contact one of the ERNI companies before using.	Tolerances  All Dimensions in mm	Scale 3:1	Designation Messerl. SMC-Q 68-SMD-BA7-13 <i>Male SMC-Q 68-SMD-type7-13</i>
	Subject to modification without prior notice. Drawing will not be updated.	 www.ERNI.com	
c	21.10.2011		i
Index	Date		A3
		Class	SMCQ

Copyright by ERNI GmbH
 Proprietary notice pursuant to ISO 16016 to be observed.