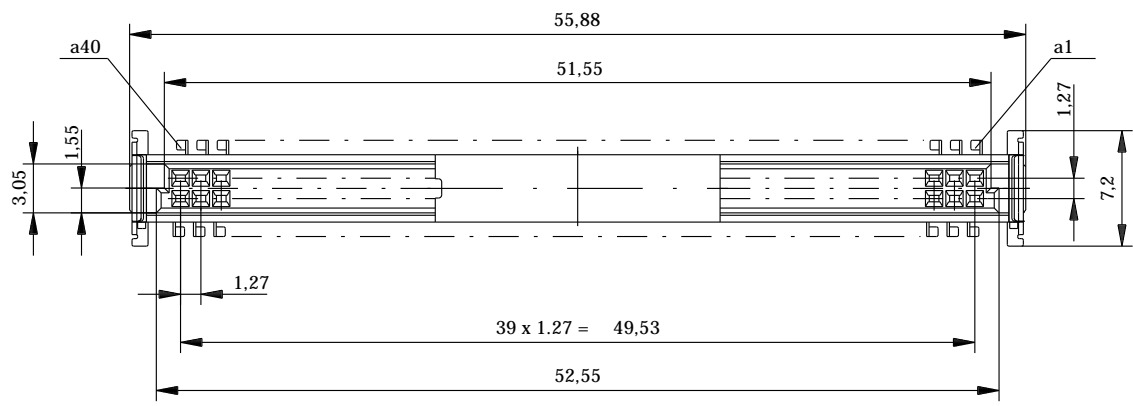
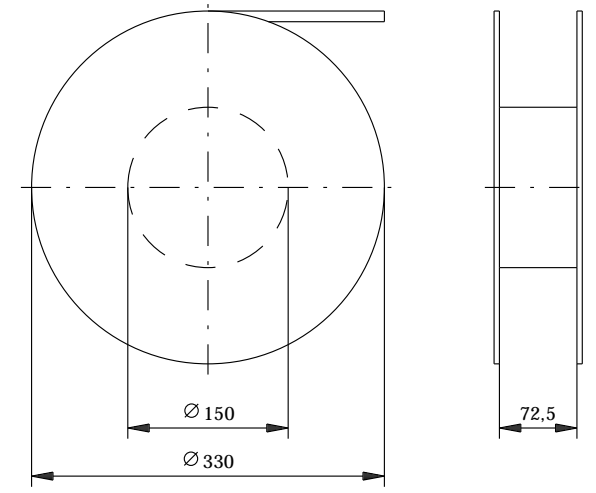
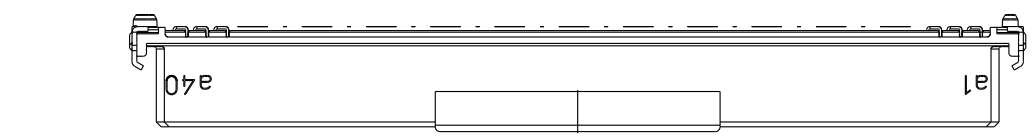
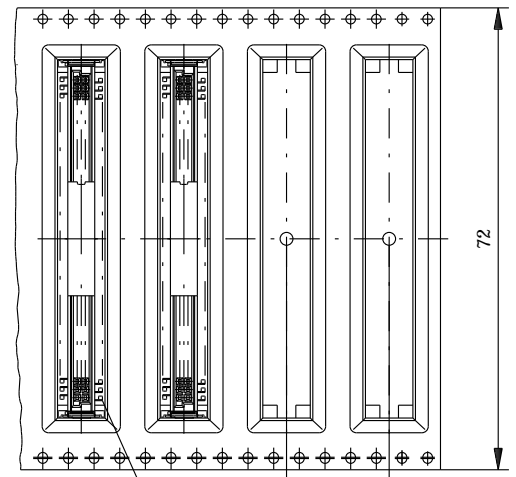


Verpackt in Gurtverpackung - Tape on Reel Packaging  
 Verpackungseinheit: 280 Stück - Packaging unit: 280 pcs

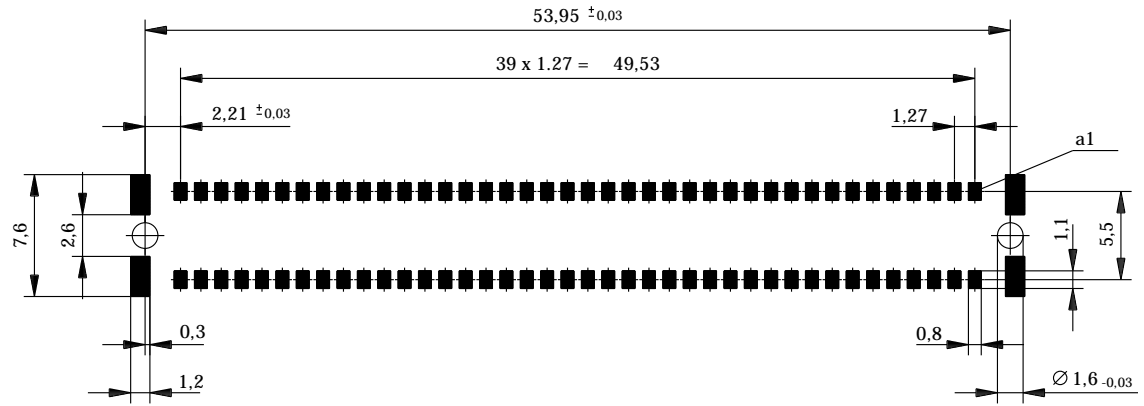


Abspulrichtung - Reel off Direction



Anforderungsstufe 1  
 Performance Level 1  
 Kontaktbereich vergoldet  
 Mating Area gold plating  
 Anschlussbereich verzinkt 4-6 µm  
 Terminal Area 4-6 µm tin plating  
 Koplanarität der Anschlüsse ≤ 0.1mm  
 Coplanarity Area of Termination ≤ 0.1 mm

Leiterplatten-Layout Vorschlag für SMT  
 PCB-Layout Proposal for SMT



BA7-13 - 8 mm Bauhöhe  
 type7-13 - Low Profile

Information:		Tolerances	Scale 3:1
All rights reserved. Only for information. To insure that this is the latest version of this drawing, please contact one of the ERNI companies before using.		All Dimensions in mm	Angaben zu entsprechender Ident-Nr. siehe Fertigungsunterlagen. For further information about I.D. number see manufacturing document.
Subject to modification without prior notice. Drawing will not be updated.		Designation	
www.ERNI.com		Federl. SMC-B 80-SMD-BA7-13 Female SMC-B 80-SMD-type7-13	
17.11.2005		154809	
Date		SMC	
V:00059784.SZA		B	

Consider protection memo from DIN 34