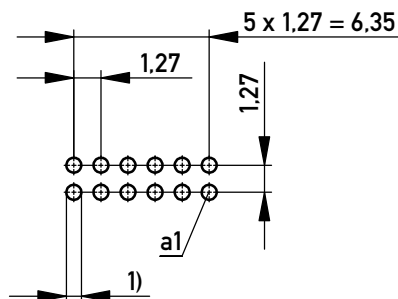
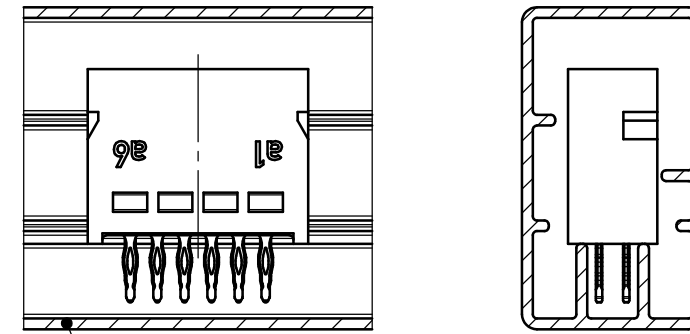


Lochbild für Leiterplatte
Board hole pattern



Verpackt in Stangenprofil - Tube Packaging

Verpackungseinheit: 65 Stück - Packaging unit: 65 pcs




Stangenprofil - Tube Packaging
044915

Anforderungsstufe 1
Performance Level 1

Kontaktbereich vergoldet
Mating Area gold plating

Anschlussbereich verzinkt 1-2 µm
Terminal Area 1-2 µm tin plating

1) Lochaufbau siehe ERNI-Spezifikation 164062 Nr. 1
hole design according to ERNI-specification 164062 No. 1

Information: All rights reserved. Only for Information. To ensure that this is the latest version of this drawing, please contact one of the ERNI companies before using.	Tolerances All Dimensions in mm	Scale 3:1	Designation Messl. SMC-Q 12-EE-BA 3 <i>Male SMC-Q 12-EE-type 3</i>
	Subject to modification without prior notice. Drawing will not be updated.	 www.ERNI.com 064002	
d	06.07.2011	i	
Index	Date	A3	
Class		SMCQ	

Copyright by ERNI GmbH
Proprietary notice pursuant to ISO 16016 to be observed.