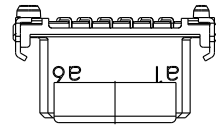
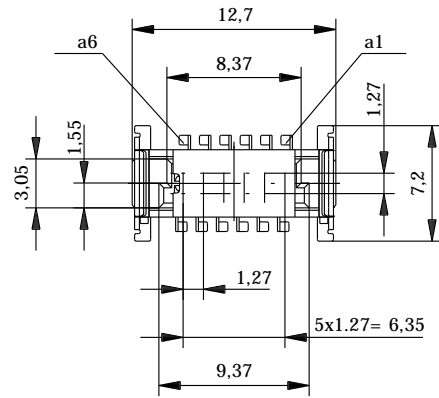
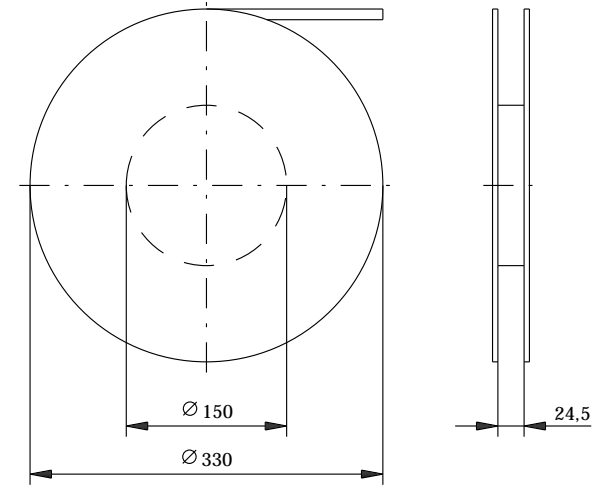
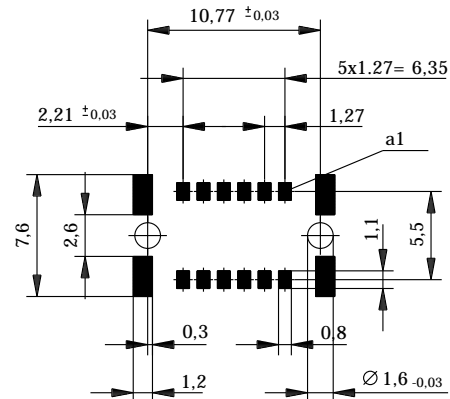


Verpackt in Gurtverpackung - Tape on Reel Packaging
 Verpackungseinheit: 280 Stück - Packaging unit: 280 pcs

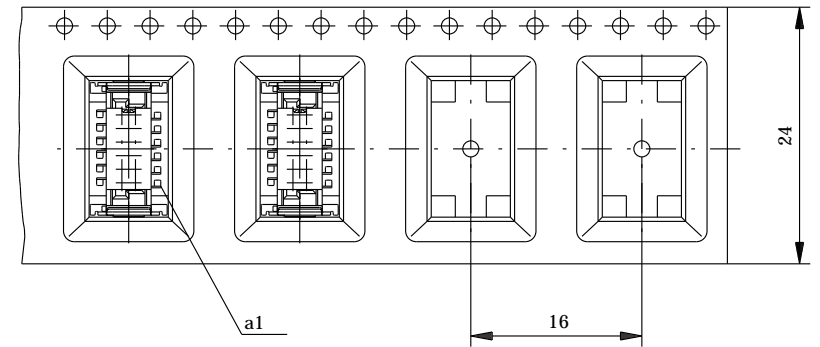


Leiterplatten-Layout Vorschlag für SMT
 PCB-Layout Proposal for SMT



Anforderungsstufe 1
 Performance Level 1
 Kontaktbereich vergoldet
 Mating Area gold plating
 Anschlussbereich verzinkt 4-6 µm
 Terminal Area 4-6 µm tin plating
 Koplanarität der Anschlüsse ≤ 0.1mm
 Coplanarity Area of Termination ≤ 0.1 mm

Abspulrichtung - Reel off Direction



BA7-13 - 8 mm Bauhöhe

type7-13 - Low Profile

Information:		Tolerances	Scale 3:1
All rights reserved. Only for information. To insure that this is the latest version of this drawing, please contact one of the ERNI companies before using.		 All Dimensions in mm	Angaben zu entsprechender Ident-Nr. siehe Fertigungsunterlagen For further information about I.D. number see manufacturing document.
Subject to modification without prior notice. Drawing will not be updated.		Designation Federl. SMC-B 12-SMD-BA7-13 Female SMC-B 12-SMD-type7-13	
www.ERNI.com		154805	
b	17.11.2005	I	
Index	Date	SMC B	
V:0059775.SZA			

Consider protection memo from DIN 54