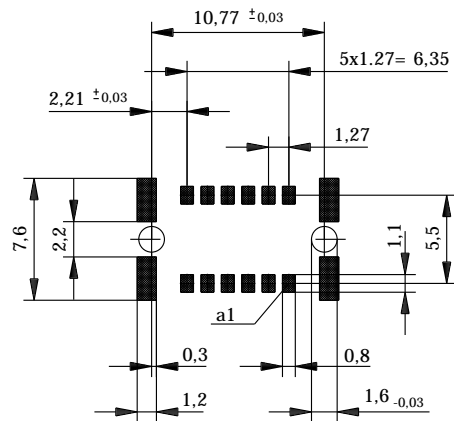
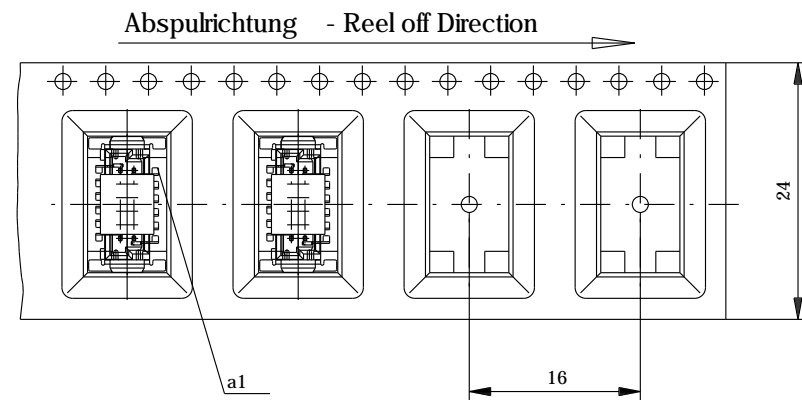
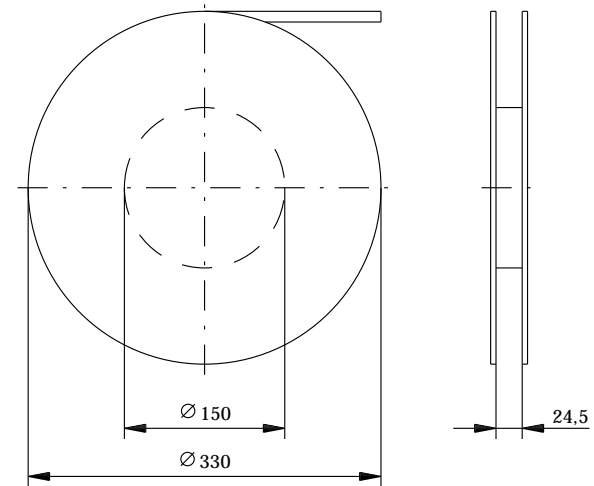


Leiterplatten-Layout Vorschlag für SMT
PCB-Layout Proposal for SMT



- Anforderungsstufe 1
Performance Level 1
- Kontaktbereich vergoldet
Mating Area gold plating
- Anschlussbereich verzinkt 4-6 µm
Terminal Area 4-6 µm tin plating
- Koplanarität der Anschlüsse ≤ 0.1mm
Coplanarity Area of Termination ≤ 0.1 mm

Verpackt in Gurtverpackung - Tape on Reel Packaging
Verpackungseinheit: 280 Stück - Packaging unit: 280 pcs



BA7-03 - Standard Bauhöhe
type7-03 - Standard Assembly Height

Information:		Tolerances	Scale 3:1
All rights reserved. Only for information. To insure that this is the latest version of this drawing, please contact one of the ERNI companies before using.		All Dimensions in mm	Angaben zu entsprechender Ident-Nr. siehe Fertigungsunterlagen. For further information about I.D. number see manufacturing document.
Subject to modification without prior notice. Drawing will not be updated.		Designation Messerl. SMC-Q 12-SMD-BA7-03 Male SMC-Q 12-SMD-type7-03	
www.ERNI.com		154784	
c	17.11.2005	SMC	
Index	Date	H:00059743.SZA	

Consider protection memo from DIN 54