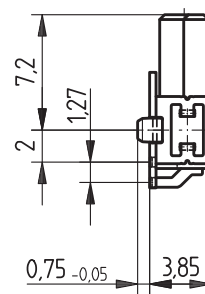
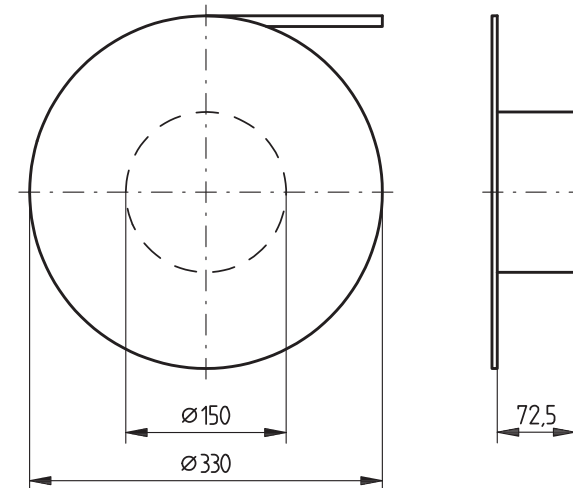
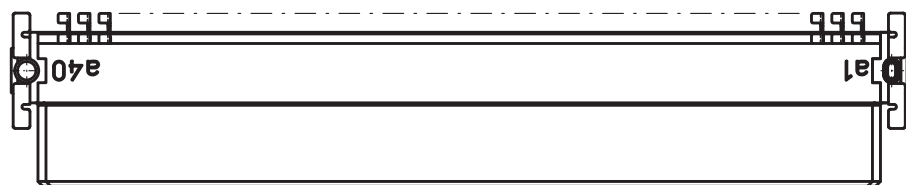
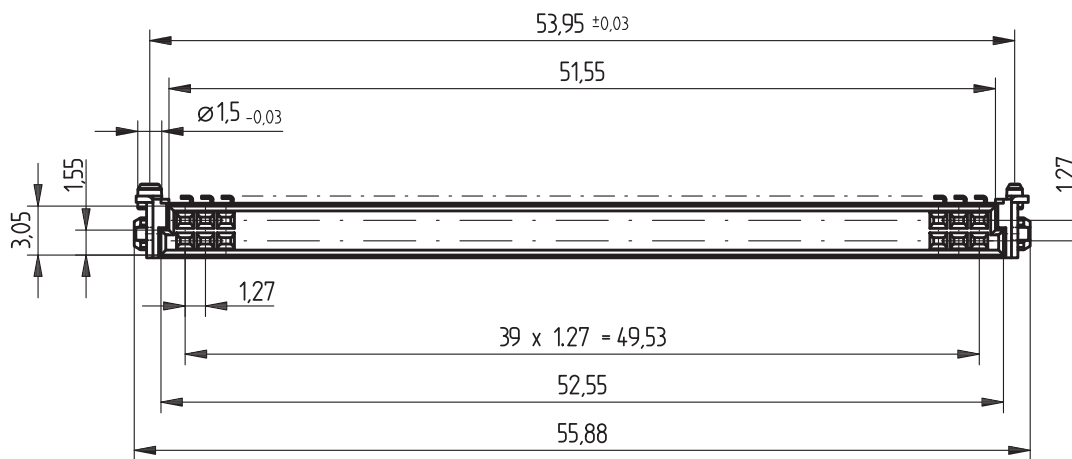
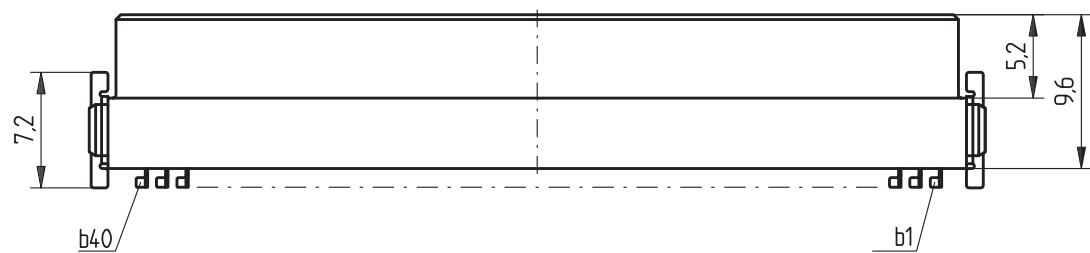
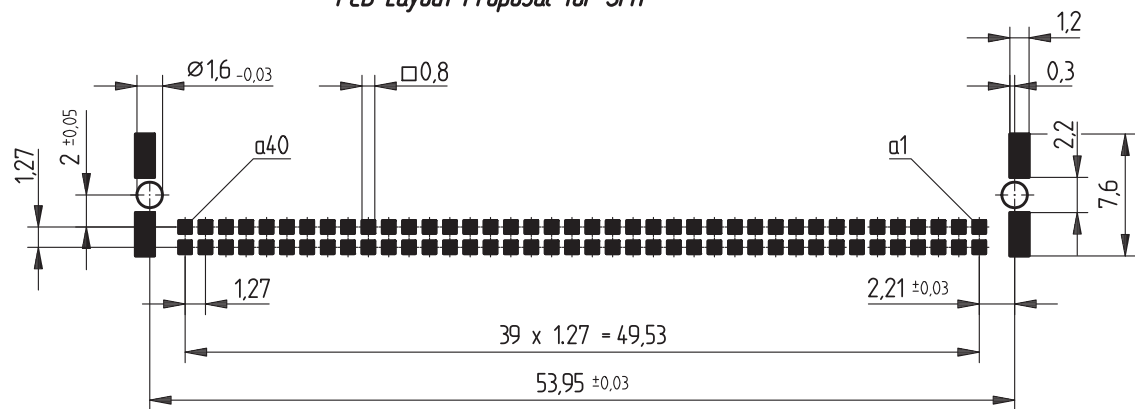
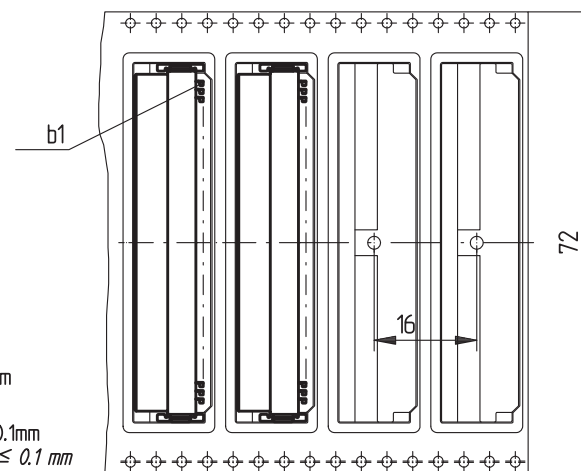


Leiterplatten-Layout Vorschlag für SMT
PCB-Layout Proposal for SMT

Verpackt in Gurtverpackung - Tape on Reel Packaging
Verpackungseinheit: 560 Stück - Packaging unit: 560 pcs



Abspulrichtung - Reel off Direction



- Anforderungsstufe 1
Performance Level 1
- Kontaktbereich vergoldet
Mating Area gold plating
- Anschlussbereich verzinkt 4-6 µm
Terminal Area 4-6 µm tin plating
- Koplanarität der Anschlüsse ≤ 0.1mm
Coplanarity Area of Termination ≤ 0.1 mm

Bedruckungsvorschrift siehe Ablage-Nr. 284009
printspecification see drawing 284009

BA7-03 - Standard Bauhöhe

type7-03 - Standard Assembly Height

Information:	Tolerances	 All Dimensions in mm	Scale	3:1
	All rights reserved. Only for information. To insure that this is the latest version of this drawing, please contact one of the ERNI companies before using.		Subject to modification without prior notice. Drawing will not be updated.	Designation Federl. SMC-Q 80-SMD-BA7-03 Female SMC-Q 80-SMD-type7-03
www.ERNI.com		154744		1
d	18.09.2007	V:00063493.SZA		SMCQ
Index	Date			