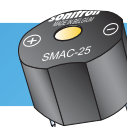


SMAC-SERIES



Piezo acoustic components are more and more used in small portable equipment and as a critical alerting device. Reliability must be very high in the most difficult environmental circumstances, such as extreme and varying temperatures, vibrations, shocks, dust conditions, humid environment etc. The SMAC-25 buzzer, manufactured with over 30 years of experience in the field of piezo acoustic technology, is a very stable buzzer with a lifetime of more than 1000 hours in continuous use. In these small dimensions, the SMAC-25 is actually the best available piezo alarm for life supporting systems.



ADVANTAGES & APPLICATIONS

ADVANTAGES :

- Electronics included
- Rounded octagonal shape – new design !
- PCB mounting (pin version)
- Shock, dust & waterproof (IP67)
- Produces a high reliable, clear and penetrating sound
- Light but solid construction
- Low power consumption
- Easily mountable
- Low cost compared to quality

APPLICATIONS :

- Alarms
- Monitoring & test equipment
- Trucks & automobiles
- Boats & airplanes
- Signalization & process control equipment
- Fire detectors
- Battery powered handheld devices
- Gas detectors
- Life support systems
- Control instrumentation & systems
- Intensive care systems

SPECIFICATIONS

Model	Function	Sound pressure level (dB(A)(±2dB(A))	Frequency (Hz)(±15%)	Operating voltage (Vdc)	Operating DCcurrent(mA)
SMAC-25	continuous	93.5	3350	5-16 Vdc	9.7
SMACI-25	intermittent*	93.5	3350	5-16 Vdc	9.7

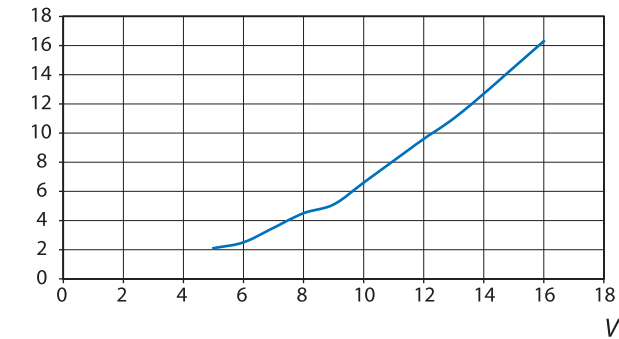
* Pulse rate 1 Hz (+/-15%)

Operating temperature:	-40°C to +85°C
Storage temperature:	-40°C to +85°C
Expected life time:	>1000 hours @ 21°C @ 12 Vdc (free air) mounted on print
Color:	grey, black
Terminals:	pins (tinned brass)
Case material:	PBT (UL rating: 94 HB)
Weight:	7.8 g

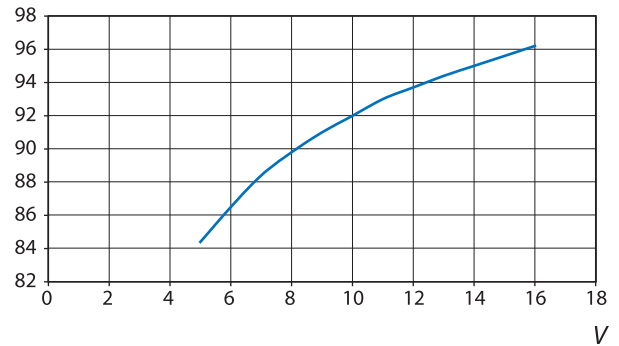
* All measurements are made in free air @ 21°C @ 30 cm @ 12 Vdc.
The test buzzer is soldered on a PCB board with dimensions of 24 cm x 11 cm.

ELECTRICAL PARAMETERS

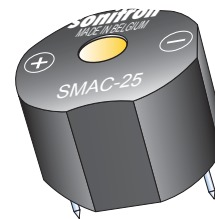
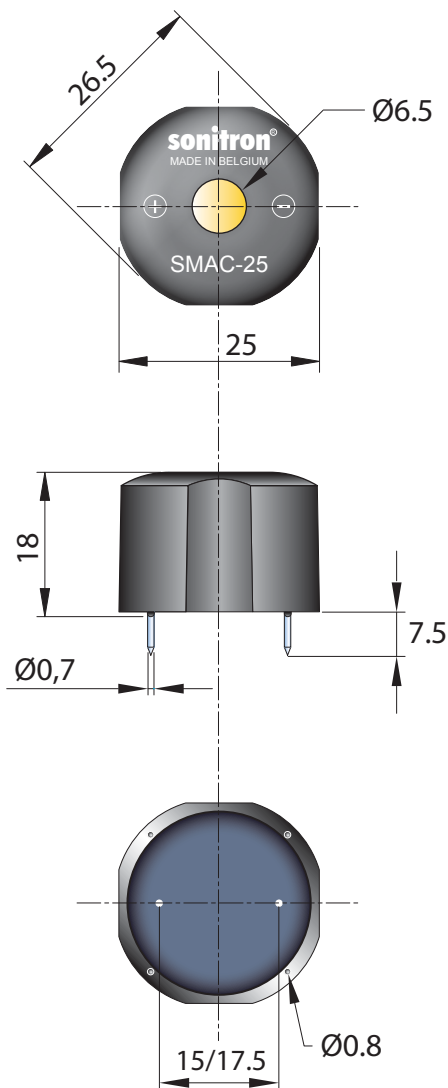
mA Current consumption vs. operating voltage



dB (A) Sound pressure level vs. operating voltage



DIMENSIONS (All dimensions are in mm)



Pin material: tinned brass
Case material: grey or black PBT

Tolerance: +/-0.2 mm

PRODUCT CODIFICATION

SMAC	I	-	25	P
Sonitron Multi Application Cup	Intermittent		Square diameter (mm)	P15: pin distance 15 mm P17.5: pin distance 17.5 mm

LIST OF AVAILABLE PRODUCT TYPES

SMAC-25-P15
SMAC-25-P17.5
SMACI-25-P15
SMACI-25-P17.5

MODELS ON REQUEST

The SMAC series is available, on special request, with the following protection:

- **Wash tabs**

A wash tab is glued on the sound-emitting hole of the buzzer avoiding water penetration into the cavity.

To order this option: add WASH TAB to the model number of the SMAC series.

- **Acryl coating**

Models containing a protective acryl coated membrane are recommended for aggressive, humid or smoggy environment.

To order this option: add MC to the model number of the SMAC series.

PACKAGING

The SMAC-25 buzzers are packed on a polystyrene board (245 L x 245 W) and sold in boxes with dimensions of 250 L x 250 W x 125 H.

SMAC-25	
per board	81
per box	(5x81) 405