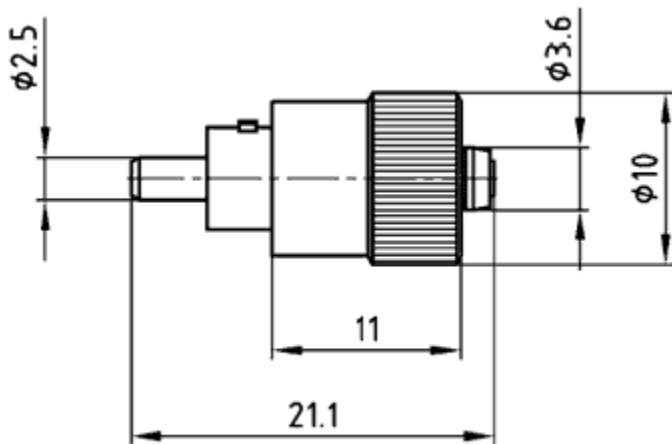


FC-Connectors (Singlemode / Multimode)



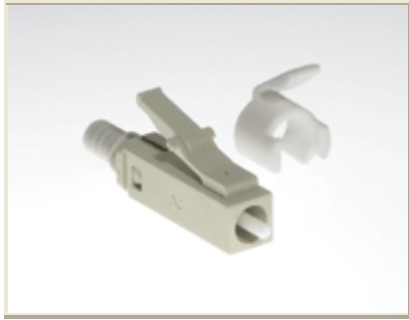
Directive 2002/95/EC
„RoHS“
Compliant



KATIYLA

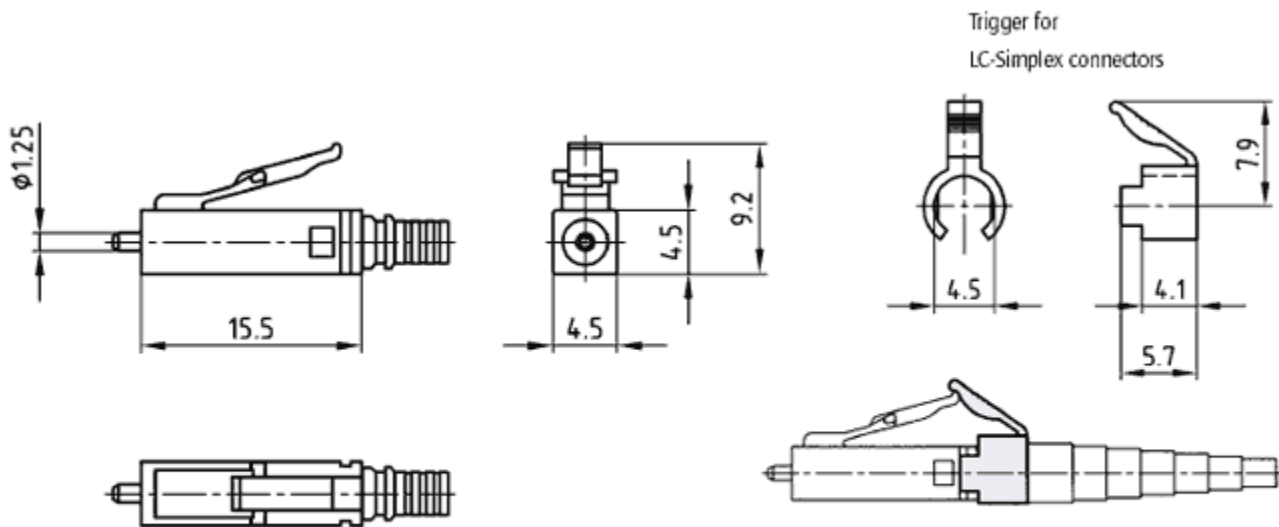
Technical Data

- Housing material: Metal
- Plating: Nickel
- Ferrule: Ceramic
- Temperature range: -40°C to $+80^{\circ}\text{C}$
- Mating cycles: 500
- Connectors are supplied with dust caps



LC-Simplex-Connectors (Singlemode / Multimode)

Directive 2002/95/EC
„RoHS“
Compliant



KATIIYMA KATIIYNA

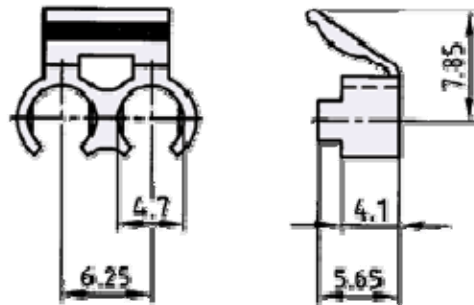
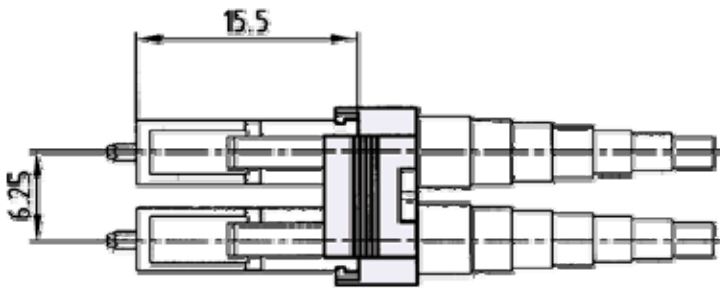
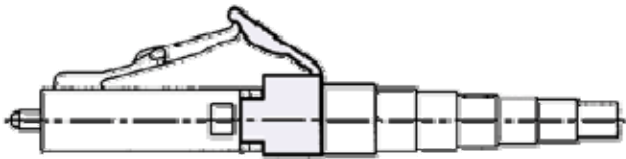
Technical Data

- Housing material: Plastic (UL 94V-0)
- Ferrule: Ceramic
- Temperature range: -40°C to +75°C
- Mating cycles: 1.000
- Connectors are supplied with dust caps



C-Duplex-Trigger (Singlemode / Multimode)

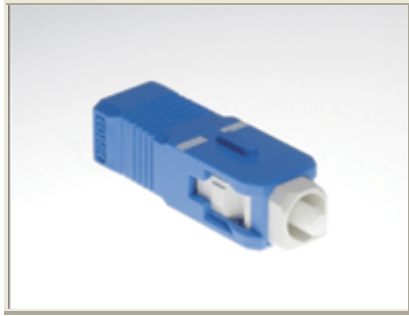
Directive 2002/95/EC
„RoHS“
Compliant



The LC-Duplex connector can be assembled with the removal piece.
The LC-Simplex connectors are inserted into the removal piece and
locked into position. Proper alignment is assured when used with
LC-Duplex adapters.

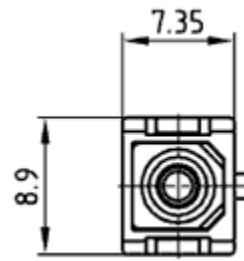
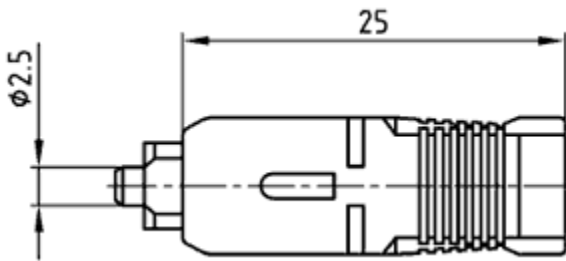
Technical Data

- Housing material: Plastic (UL 94V-0)
- Temperature range: -40 °C to + 75 °C



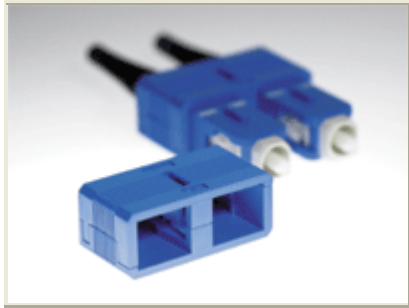
SC-Simplex-Connectors (Singlemode / Multimode)

Directive 2002/95/EC
„RoHS“
Compliant



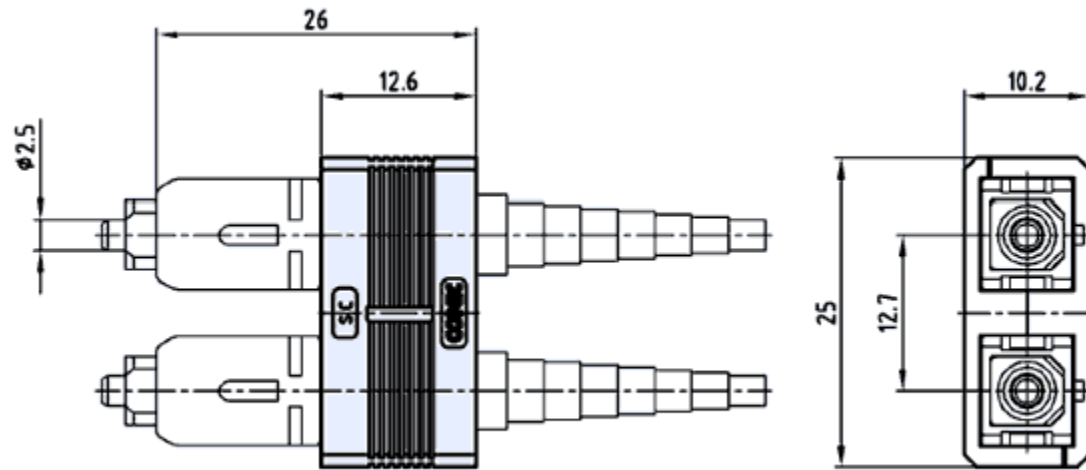
Technical Data

- Housing material: Plastic (UL 94V-0)
- Ferrule: Ceramic
- Temperature range: -40°C to $+80^{\circ}\text{C}$
- Mating cycles: 1.000
- Connectors are supplied with dust caps



SC-Duplex-Carrier Housing (Singlemode / Multimode)

Directive 2002/95/EC
"RoHS"
Compliant



KAT11YHA

A carrier housing is used in conjunction with SC-Simplex connectors by inserting the SC-Simplex connectors to create the SC-Duplex variation. The SC-Simplex connectors are pushed into the carrier housing and locked into the position proper alignment is assured.

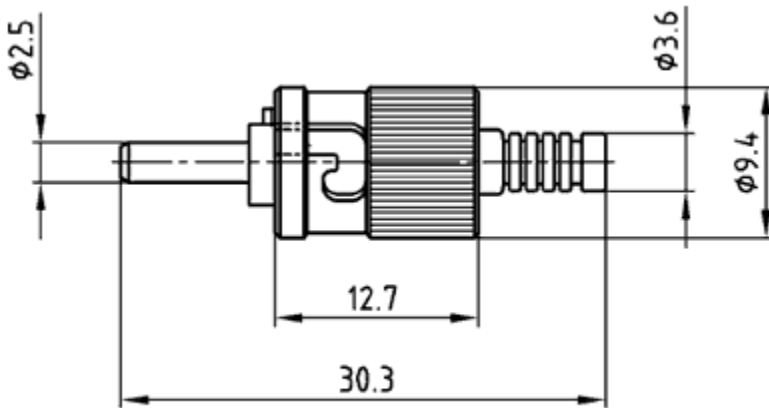
Technical Data

- Housing material: Plastic (UL 94V-0)
- Temperature range: -40 °C to + 80 °C

ST-Connectors (Singlemode / Multimode)



Directive 2002/95/EC
„RoHS“
Compliant



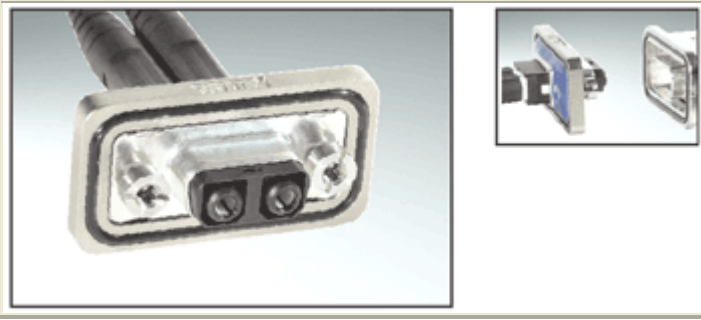
KATIYYKA

Technical Data

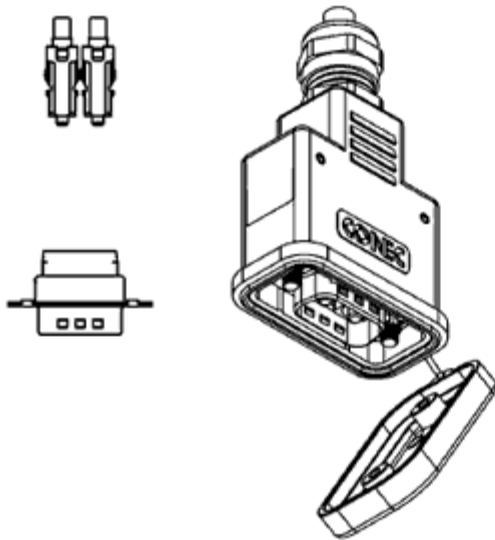
- Housing material: Metal
- Plating: Nickel
- Ferrule: Ceramic
- Temperature range: -40°C to $+80^{\circ}\text{C}$
- Mating cycles: 500
- Connectors are supplied with dust caps

Fiber Optic Outdoor Connector

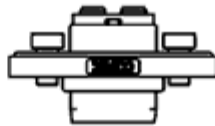
Directive 2002/95/EC
„RoHS“
Compliant



A Hood System with Connector



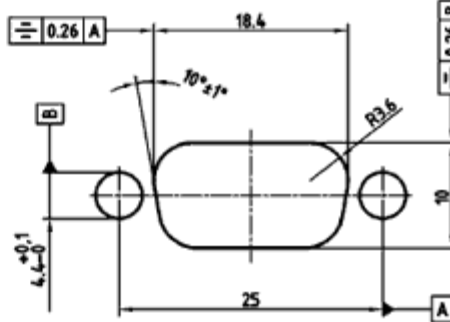
B Panel Adapter



C Panel Connector (2x)



Panel Cut Out



Characteristics

- Duplex connector
- Based on SC-plugs
- Multimode and Singlemode
- IP67
- D-Sub metal housing
- D-Sub panel
- Captive dust boot made of metal IP65

Technical Data

- Temperature range $-40\text{ }^{\circ}\text{C}$ to $+80\text{ }^{\circ}\text{C}$
- Mating cycles: 100
- Ferrule: Ceramic

System Overview

