

Technical Data	Lead Spacing 2,54 mm		Lead Spacing 2,00 mm
Base plate	Copper alloy		
Plating Base plate	tin plated		
Contact finish	0.8μ Au / 30 micro inch gold plating		
Contact dimensions	Round contact Ø 0.64 mm	Square contact ∅ 0.64 mm	Round contact Ø 0.64 mm
Dielectric withstanding voltage (DWV)	500 VDC		500 VDC
Working voltage	100 VDC / -55°C to +125°C		50 VDC / -55°C to +125°C
Current rating	5 A		3 A
Insulation resistance	10 GΩ min. at 125°C		
Humidity	40 C / 85% RH		

Filter	Capacitance		3dB max. Point*	Typical Insertion Loss (dB) 50Ω System (No load) Per MIL-STD-220 @ 25°C							
	Value	Tolerance		5 MHz	10 MHz	20 MHz	50 MHz	100 MHz	200 MHz	500 MHz	1 GHz
C	68pF	± 20%	77 MHz	-	-	-	-	-	3	10	16
C	100pF	± 20%	53 MHz	-	-	-	-	1	6	14	19
C	140pF	+100/-0%	23 MHz	-	-	-	1	5	10	16	20
C	470pF	± 20%	11 MHz	-	-	2	7	13	19	25	27
C	820pF	± 20%	6 MHz	-	2	6	12	18	24	30	33
C	1000pF	± 20%	5 MHz	-	3	7	14	20	26	32	35
C	1500pF	± 20%	3.5 MHz	-	4	10	16	22	29	36	37
C	2500pF	+100/-0%	1.3 MHz	-	11	17	23	29	35	38	40
C	4000pF	+100/-0%	0.8 MHz	-	15	21	27	34	38	42	46
Pi	68pF	± 20%	65 MHz	-	-	-	-	1	6	17	23
Pi	100pF	± 20%	46 MHz	-	-	-	-	2	9	22	28
Pi	135pF	+100/-0%	25 MHz	-	-	-	1	6	17	26	34
Pi	470pF	± 20%	11 MHz	-	-	-	9	18	22	36	43
Pi	820pF	± 20%	6 MHz	-	-	4	13	23	31	45	52
Pi	1000pF	± 20%	5 MHz	-	2	7	16	24	36	51	59
Pi	1700pF	+100/-0%	1.9 MHz	1	6	14	28	35	49	64	69
Pi	2500pF	+100/-0%	1.3 MHz	4	9	16	28	41	54	70	70
Pi	5000pF	+100/-0%	0.7 MHz	9	15	28	41	53	66	70	70

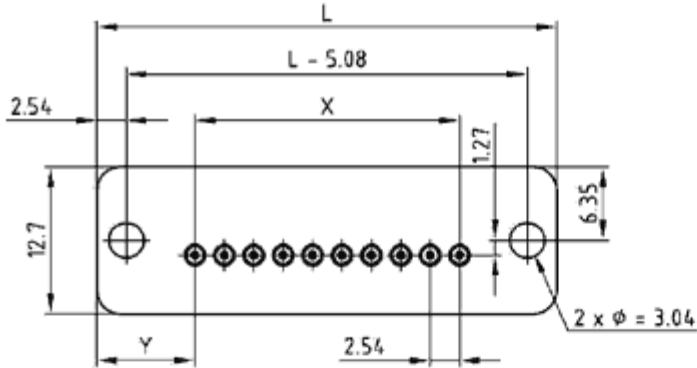
* 3dB cut-off frequency calculated at the maximum capacitance

Technical alterations are subject to change without notice.



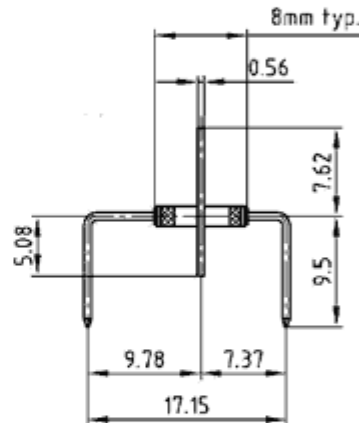
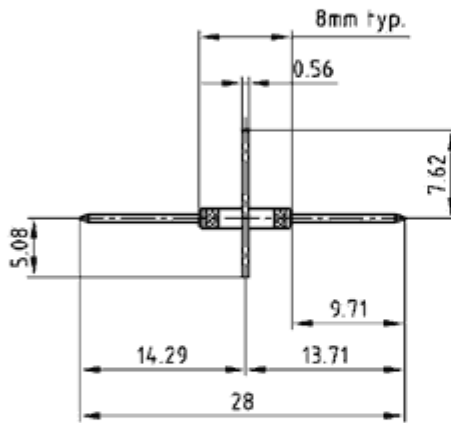
Filter plate
1-row
Lead spacing
2,54 mm

Directive 2002/95/EC
"RoHS"
Compliant



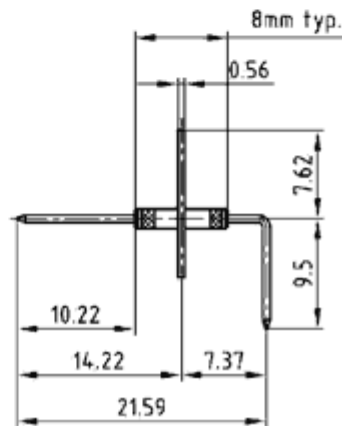
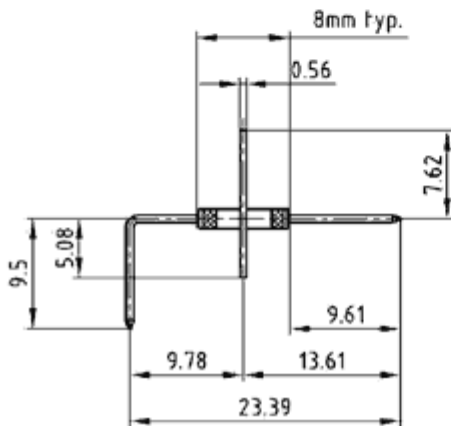
straight

90° both



90° left

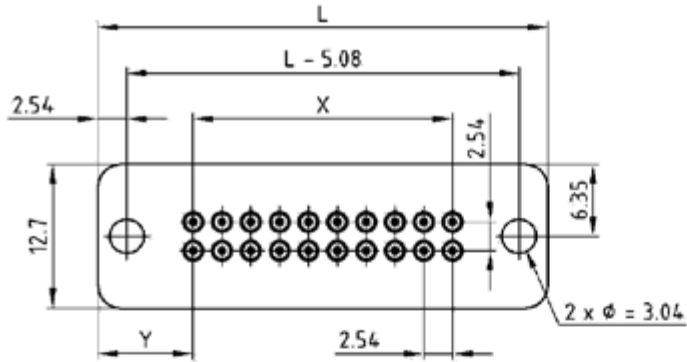
90° right





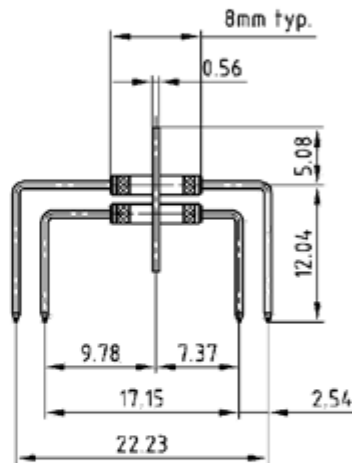
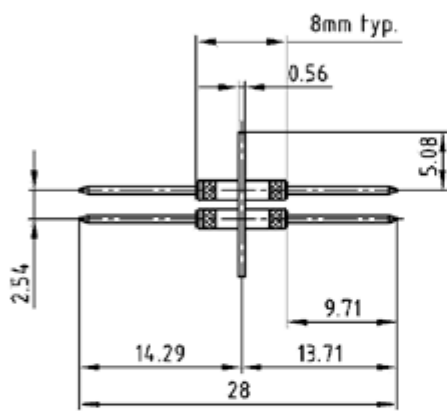
Filter plate
2-row
Lead spacing 2,54 mm

Directive 2002/95/EC
 "RoHS"
 Compliant



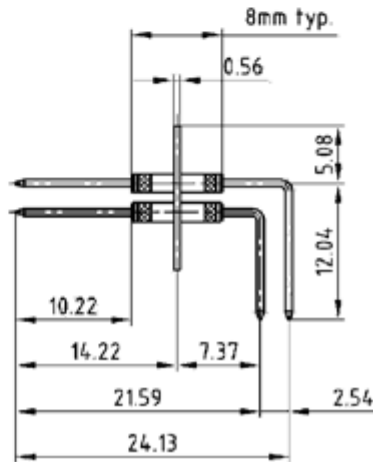
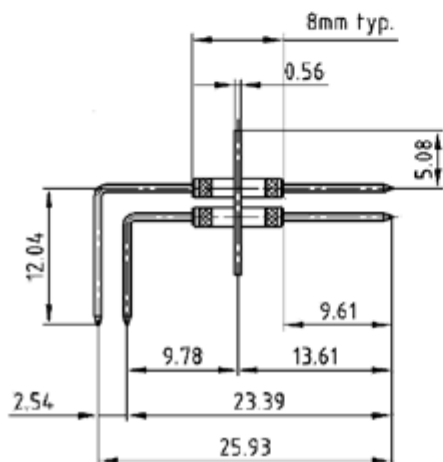
straight

90° both



90° left

90° right



Dimensions for filter plates

Plate length (L)	No. of Filter per row	X (mm)	y (mm)
Size A (26.92 mm)	1	0.00	13.46
	2	2.54	10.92
	3	5.08	10.92
	4	7.62	8.38
	5	10.16	8.38
Size C (65.92 mm)	5	10.16	26.16
	6	12.70	26.16
	7	15.24	23.62
	8	17.78	23.62
	9	20.32	21.08
	10	22.86	21.08
	11	25.40	18.54
	12	27.94	18.54
	13	30.48	16.00
	14	33.02	16.00
	15	35.56	13.46
	16	38.10	13.46
	17	40.64	10.92
	18	43.18	10.92
	19	45.72	8.38
20	48.26	8.38	

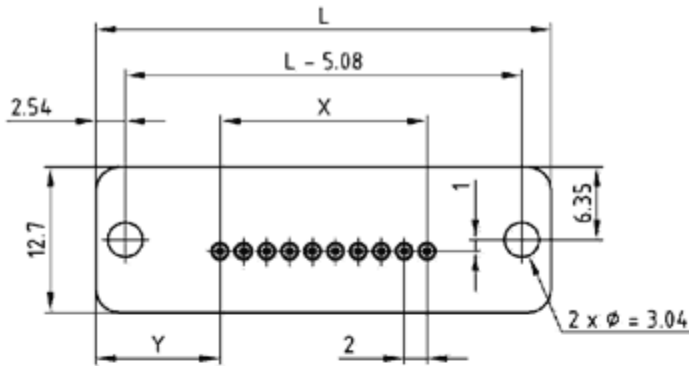
Dimensions for filter plates

Plate length (L)	No. of Filter per row	X (mm)	y (mm)
Size B (39.92 mm)	1	0.00	18.54
	2	2.54	18.54
	3	5.08	10.92
	4	7.62	16.00
	5	10.16	16.00
	5	10.16	13.46
	6	12.70	13.46
	7	15.24	10.92
	8	17.78	10.92
	9	20.32	8.38
Size D (90.42 mm)	10	22.86	8.38
	13	30.48	25.70
	14	33.02	28.70
	15	35.56	26.16
	16	38.10	26.16
	17	40.64	23.62
	18	43.18	23.62
	19	45.72	21.08
	20	48.26	21.08
	21	50.80	18.54
	22	53.34	18.54
	23	55.88	16.00
	24	58.42	16.00
	25	60.96	13.46
	26	63.50	13.46
	27	66.04	10.92
	28	68.58	10.92
	29	71.12	8.38
	30	73.66	8.38

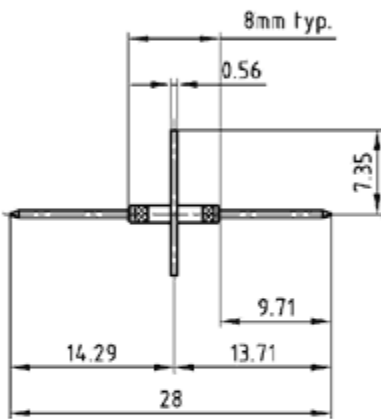


Filter plate
 1-row
 Lead spacing 2,00 mm

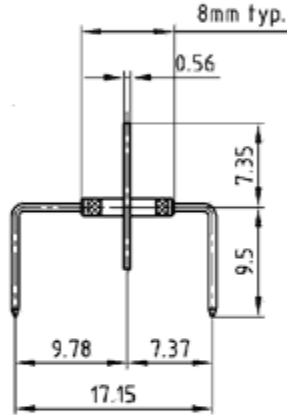
Directive 2002/95/EC
 „RoHS“
 Compliant



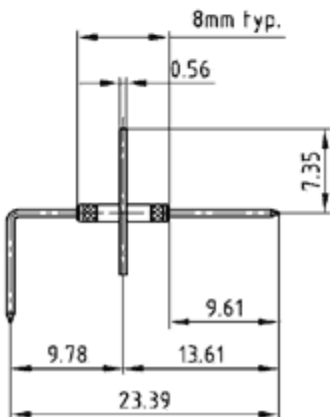
straight



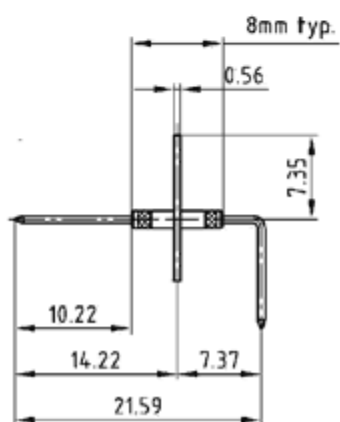
90° both



90° left



90° right



Dimensions for filter plates

Plate length (L)	No. of Filter per row	X (mm)	y (mm)
Size A (26.92 mm)	2	2.00	12.46
	3	4.00	10.46
	4	6.00	10.46
	5	8.00	8.46
	6	10.00	8.46
Size C (65.02 mm)	10	18.00	22.51
	11	20.00	22.51
	12	22.00	20.51
	13	24.00	20.51
	14	26.00	18.51
	15	28.00	18.51
	16	30.00	16.51
	17	32.00	16.51
	18	34.00	14.51
	19	36.00	14.51
	20	38.00	12.51
	21	40.00	12.51
	22	42.00	10.51
	23	44.00	10.51
24	46.00	8.51	
25	48.00	8.51	

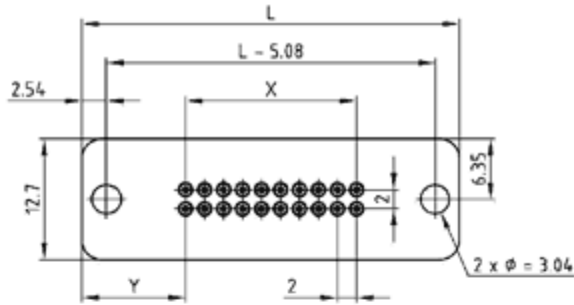
Dimensions for filter plates

Plate length (L)	No. of Filter per row	X (mm)	y (mm)	
Size B (39.62 mm)	3	4.00	16.81	
	4	6.00	16.81	
	5	8.00	14.81	
	6	10.00	14.81	
	7	12.00	12.81	
	8	14.00	12.81	
	9	16.00	10.81	
	10	18.00	10.81	
	11	20.00	8.81	
	12	22.00	18.81	
	Size D (90.42 mm)	20	38.00	25.21
		21	40.00	25.21
22		42.00	23.21	
23		44.00	23.21	
24		46.00	21.21	
25		48.00	21.21	
26		50.00	19.21	
27		52.00	19.21	
28		54.00	17.21	
29		56.00	17.21	
30		58.00	15.21	
31		60.00	15.21	
32		62.00	13.21	
33		64.00	13.21	
34		66.00	11.21	
35		68.00	11.21	
36	70.00	9.21		
37	72.00	9.21		



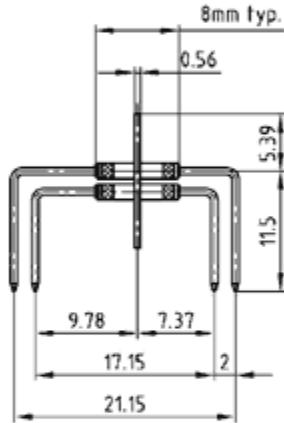
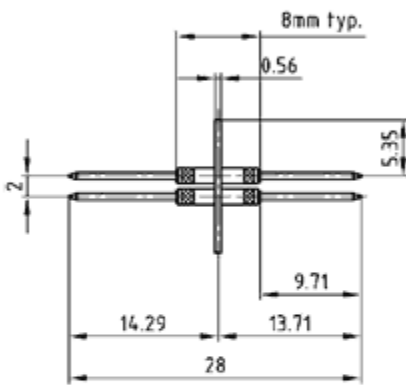
Filter plate
 2-row
 Lead spacing 2,00 mm

Directive 2002/95/EC
 „RoHS“
 Compliant



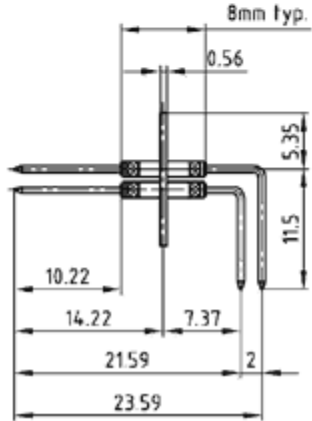
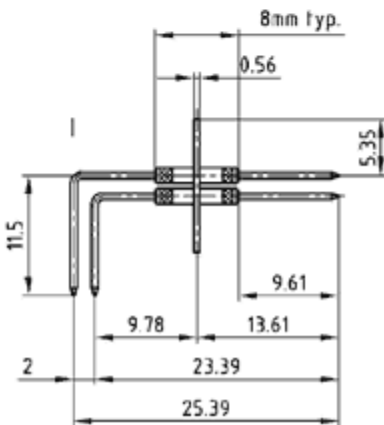
straight

90° both



90° left

90° right



Dimensions for filter plates

Plate length (L)	No. of Filter per row	X (mm)	y (mm)
Size A (26.92 mm)	2	2.00	12.46
	3	4.00	10.46
	4	6.00	10.46
	5	8.00	8.46
	6	10.00	8.46
Size C (65.02 mm)	10	18.00	22.51
	11	20.00	22.51
	12	22.00	20.51
	13	24.00	20.51
	14	26.00	18.51
	15	28.00	18.51
	16	30.00	16.51
	17	32.00	16.51
	18	34.00	14.51
	19	36.00	14.51
	20	38.00	12.51
	21	40.00	12.51
	22	42.00	10.51
	23	44.00	10.51
24	46.00	8.51	
25	48.00	8.51	

Dimensions for filter plates

Plate length (L)	No. of Filter per row	X (mm)	y (mm)	
Size B (39.62 mm)	3	4.00	16.81	
	4	6.00	16.81	
	5	8.00	14.81	
	6	10.00	14.81	
	7	12.00	12.81	
	8	14.00	12.81	
	9	16.00	10.81	
	10	18.00	10.81	
	11	20.00	8.81	
	12	22.00	18.81	
	Size D (90.42 mm)	20	38.00	25.21
		21	40.00	25.21
22		42.00	23.21	
23		44.00	23.21	
24		46.00	21.21	
25		48.00	21.21	
26		50.00	19.21	
27		52.00	19.21	
28		54.00	17.21	
29		56.00	17.21	
30		58.00	15.21	
31		60.00	15.21	
32		62.00	13.21	
33		64.00	13.21	
34		66.00	11.21	
35		68.00	11.21	
36	70.00	9.21		
37	72.00	9.21		