

DC-Filter, dual pole

new



Description

- Chassis: Screw-on mounting, from top
- Line-filter in standard version, 1-stage, standard attenuation
- Effective against symmetrical and asymmetrical interferences in the frequency range from 100kHz up to 30MHz

Approvals

- VDE Certificate Number: 40020247
- UL File Number: E72928

Characteristics

- Optimized for DC supplied applications
- Qualified for use in equipment according IEC/EN 60950

Other versions on request

- Other terminal combinations
- Version with wire connection

References

Weblinks

[General Product Information](#), [Approvals](#), [RoHS](#), [CHINA-RoHS](#), [Mating Connectors](#), [e-Store](#), [SCHURTER-Stock-Check](#), [Distributor-Stock-Check](#), [Accessories](#)

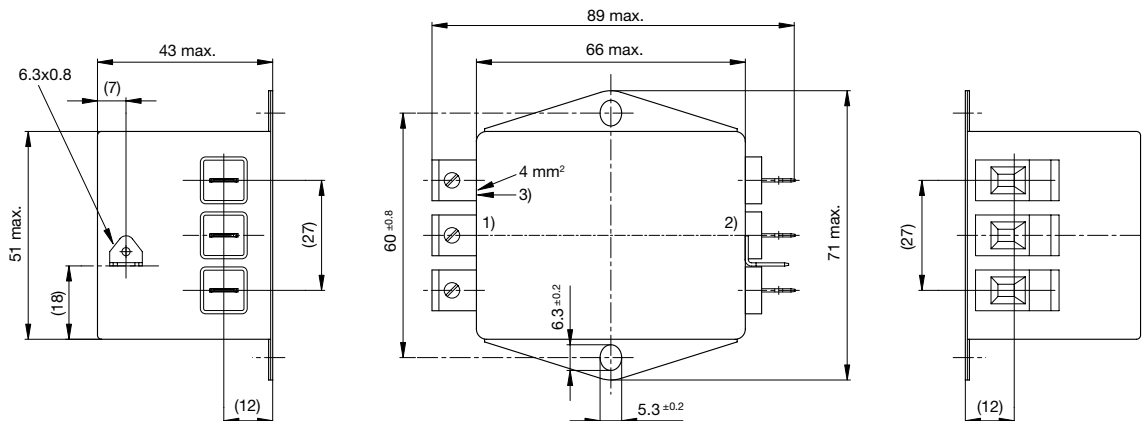
Technical Data

| | |
|---------------------------|---|
| Ratings IEC | 5 - 30A @ Ta 40 °C / ±80VDC |
| Ratings UL/CSA | 5 - 30A @ Ta 40 °C / ±80VDC |
| Dielectric Strength | > 1.7 kVDC between Vss-GND |
| | > 2.7 kVDC between Vss/GND-PE |
| | Test voltage (2 sec) |
| Allowable Operation Temp. | -25 °C to 100 °C |
| Climatic Category | 25/100/21 acc. to IEC 60068-1 |
| Protection Class | Suitable for appliances with protection class 1 acc. to IEC 61140 |
| Terminal | Quick connect terminals 6.3 x 0.8 mm or screw terminals |
| Material: Housing | Aluminum, UL 94V-0 |

| | |
|-------------|---|
| Line Filter | Industrial Version, IEC 60939, IEC 60601-1, UL 1283, UL 544, EN 133 200, CSA C22.2 no. 8 Technical details |
| MTBF | > 200'000h acc. to MIL-HB-217 F |

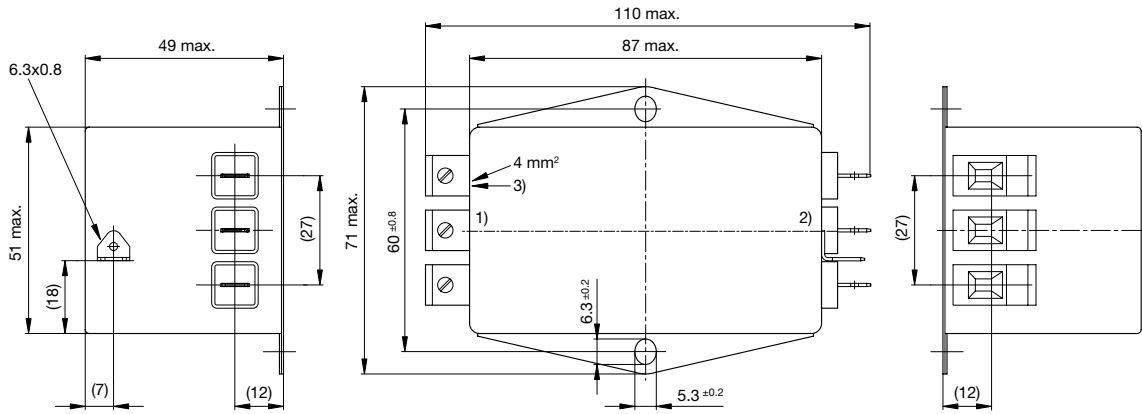
Dimensions

Case 86-3



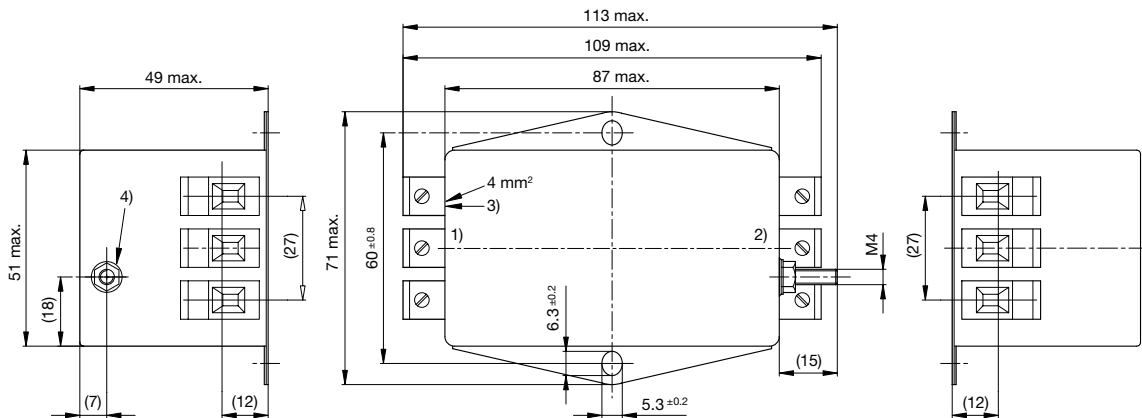
- 1) Line
- 2) Load
- 3) I/O connections torque 0.6...0.8 Nm

Case 87-3



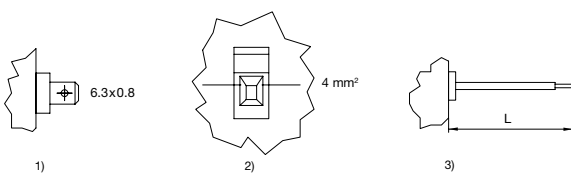
- 1) Line
- 2) Load
- 3) I/O connections torque 0.6...0.8 Nm

Case 87-7



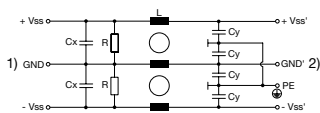
- 1) Line
- 2) Load
- 3) Tightening torque 0.6...0.8 Nm
- 4) Tightening torque 1.2...1.4 Nm

Terminal options



- 1) Quick connect terminals 6.3x0.8 (only up to 24A)
- 2) Screw clamp 4mm²
- 3) Flexible wires

Diagrams

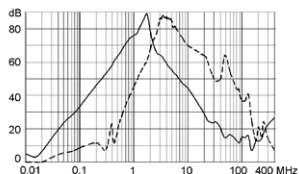


- 1) Line
- 2) Load

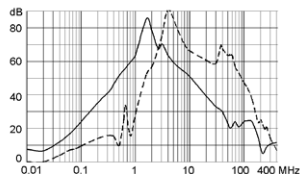
Attenuation Loss 0.1/100Ω differential mode 100/0.1Ω differential mode - - - - differential mode ____ common mode

Standard version

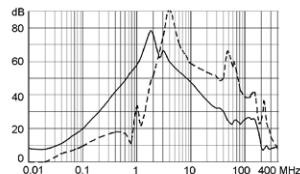
5 A



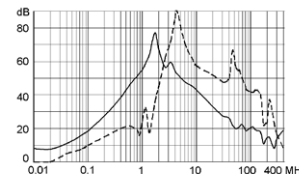
10 A



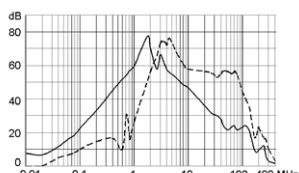
15 A



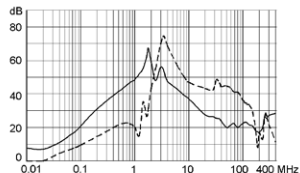
20 A



24 A



30 A



Variants

| Rated Current [A] | L [mH] | Cx (X2) [nF] | Cy (Y2) [nF] | R [MΩ] | Weight [g] | Housing | Packaging unit | Order Number |
|-------------------|----------|--------------|--------------|--------|------------|---------|----------------|--------------|
| 5 | 3 x 0.75 | 100 | 100 | 1 | 245 | 86-3 | 10 | 5500.2229 |
| 10 | 3 x 0.2 | 100 | 100 | 1 | 245 | 86-3 | 10 | 5500.2230 |
| 15 | 3 x 0.1 | 100 | 100 | 1 | 250 | 86-3 | 10 | 5500.2231 |
| 20 | 3 x 0.07 | 100 | 100 | 1 | 260 | 86-3 | 10 | 5500.2232 |
| 24 | 3 x 0.14 | 100 | 100 | 1 | 400 | 87-3 | 4 | 5500.2233 |
| 30 | 3 x 0.08 | 100 | 100 | 1 | 425 | 87-7 | 4 | 5500.2234 |